



demarco

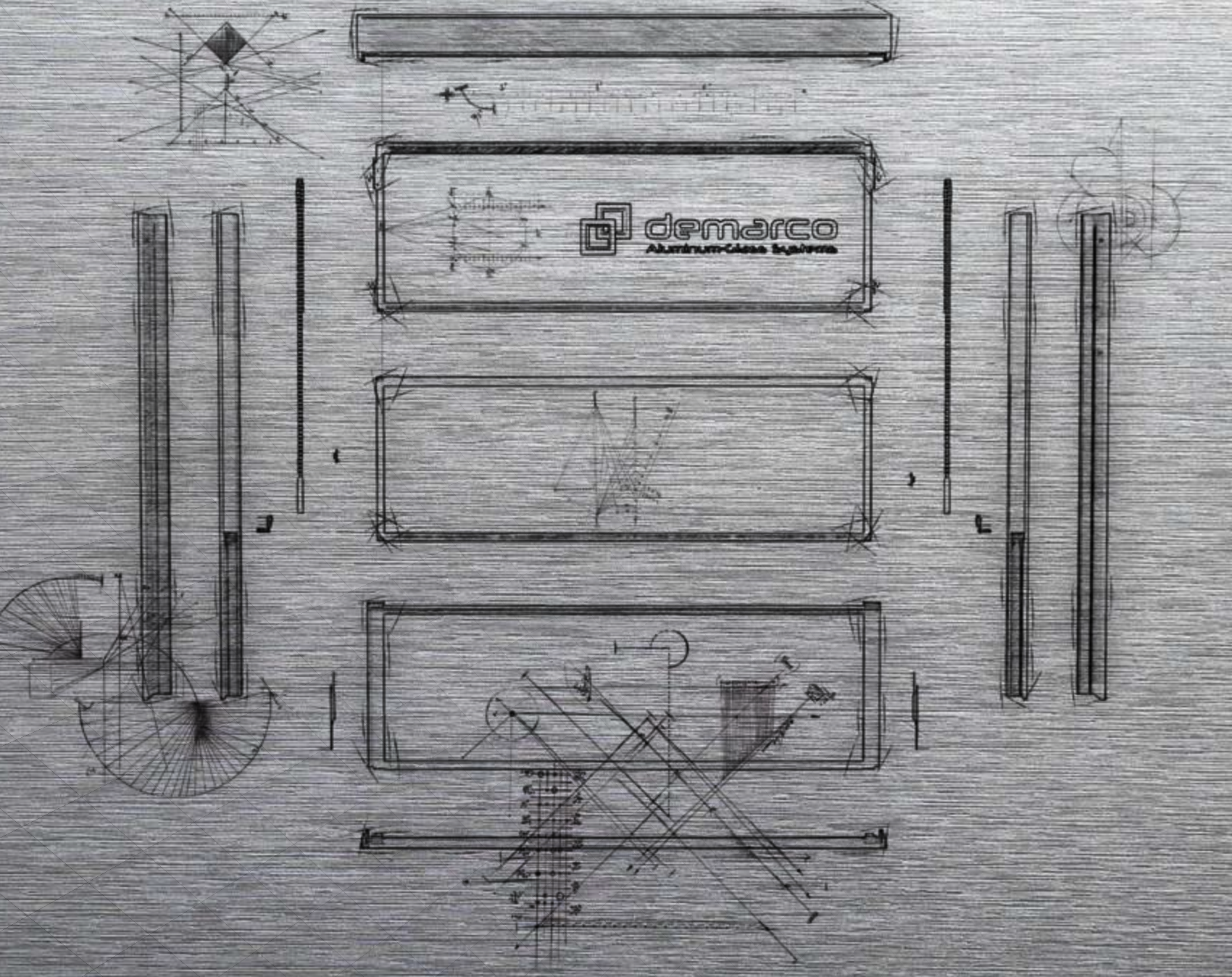
Aluminum-Glass Systems

Alüminyum & Cam
Sistemleri

Ferah Mimari Yapılar
Ek Yaşam Alanları
Kaliteli ve Dayanıklı Ürünler
Modern ve Uzun Ömürlü Çözümler

Aluminum & Glass
Systems

Spacious Architectural Structures
Additional Living Spaces
Quality and Durable Products
Modern and Long-Lasting Solutions



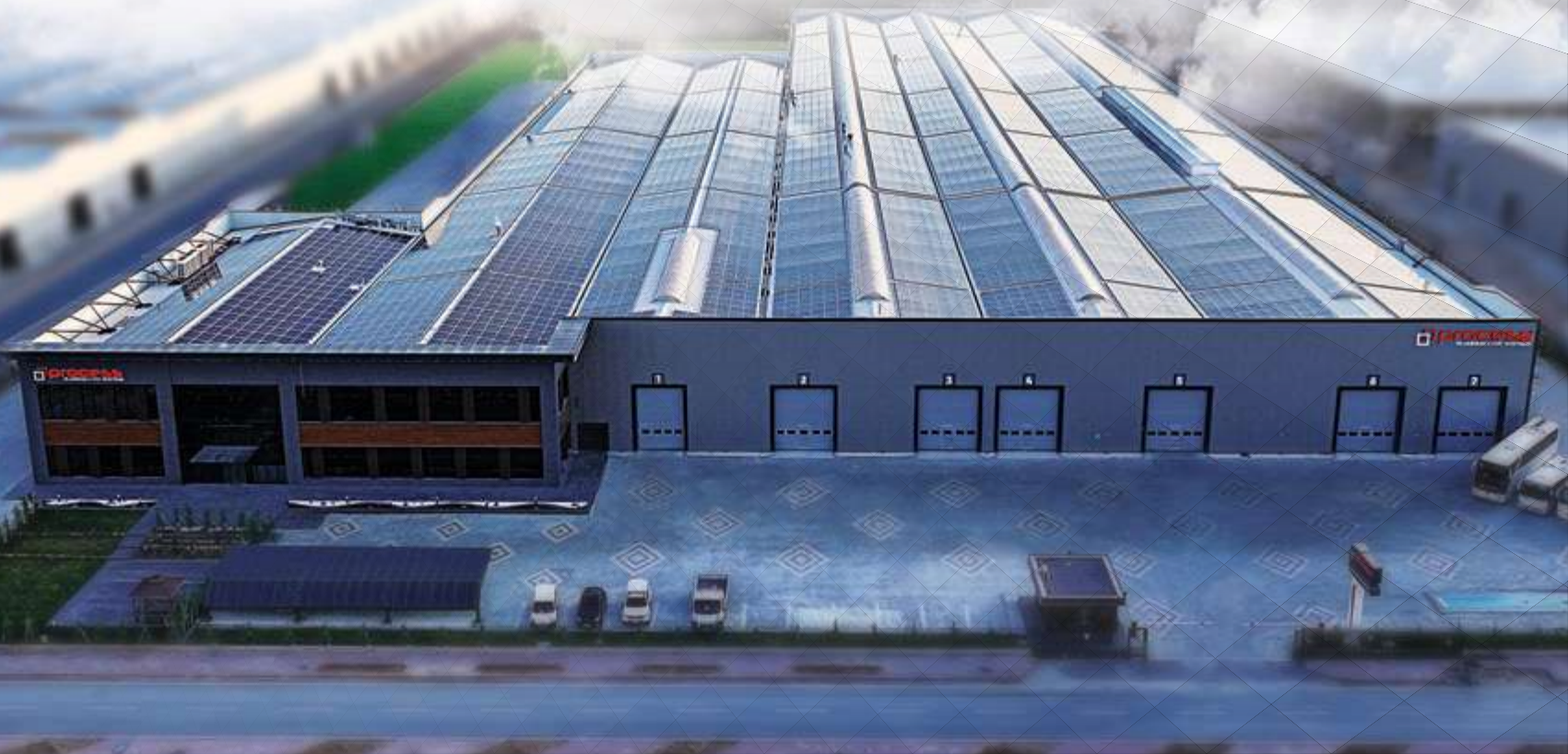
Dış Mekan Alüminyum Mimari Sistemler
Outdoor Aluminum Architectural Systems



demarco
Aluminum-Glass Systems

askla yapilan sanattir

art is made with love





demarco

Aluminum-Glass Systems

8 mm Katlanır Sistem

8 mm Folding System

04

Cam Sistemleri
Katlanır Sistem
Görsel Konfor
Ekonomik Mimari
Kolay Kullanım

Glass Systems
Folding System
Visual Comfort
Economic Architecture
Easy Use

Isıcam Katlanır Sistem

Double Glazing Folding System

10

Cam Sistemleri
Katlanır Sistem
Uzun Ömürlü
Isı ve Ses Yalıtımı
Ekstra Güvenlik

Glass Systems
Folding System
Long-lasting
Thermal and Sound Insulation
Extra Security

Sürme Sistem

Sliding System

14

Cam Sistemleri
Tek/Çift Cam Sürme
Ergonomik
Ferah Mimari Yapı
Modern ve Estetik

Glass Systems
Single/Double Glass Sliding
Ergonomic
Spacious Architectural Design
Modern and Aesthetic

Giyotin Sistem

Guillotine System

18

Cam Sistemleri
Kumandalı Sistem
İnovatif
Esnek Kullanım
Kolay Temizlik

Glass Systems
Remote Controlled System
Innovative
Esnek Kullanım
Easy Cleaning

Cam Tavan Sistemleri

Glass Ceiling Systems

24

Cam Sistemleri
Kış Bahçesi
Ferah Mimari Yapı
Modern ve Estetik
Ek Yaşam Alanı

Glass Systems
Winter Garden
Spacious Architectural Design
Modern and Aesthetic
Additional Living Space

Dikey Zip Perde

Vertical Zip Blind

28

Zip Perde Sistemleri
Kumandalı Sistem
Güneş Işığı Kontrolü
Rüzgar Dayanıklılığı
Sineklik İşlevi

Zip Blinds Systems
Remote Controlled System
Sunlight Control
Wind Resistance
Fly Screen Function

8 mm Katlanır Sistem

8 mm Folding System

Cam Sistemleri

Glass Systems

Katlanır Sistem

Folding System

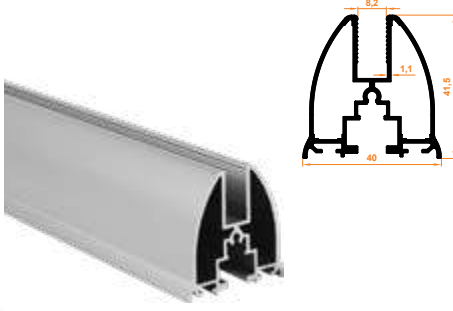
Görsel Konfor
Ekonomik Mimari
Kolay Kullanım

Visual Comfort
Economic Architecture
Easy Use



104 Gold Baza Profil
Gold Base Profile

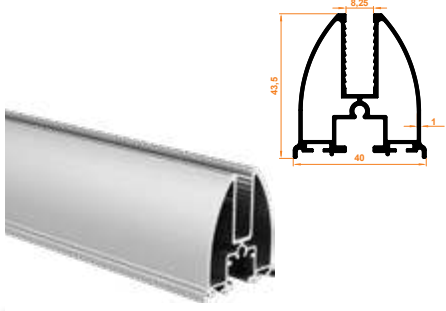
gold



Paket İçi Adet Amount within package	3	Gramajı Weight	0,717 kg/m
---	---	-------------------	------------

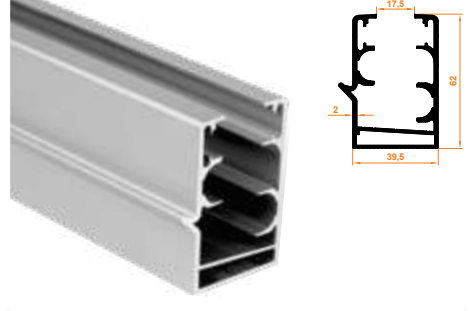
105 Fırtına Baza Profil
Fırtına Base Profile

fırtına



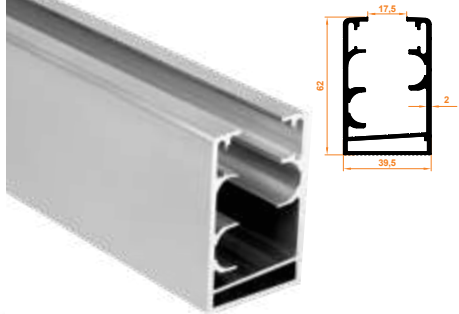
Paket İçi Adet Amount within package	3	Gramajı Weight	0,730 kg/m
---	---	-------------------	------------

110 Oluklu Kasa Profil
Corrugated Case Profile



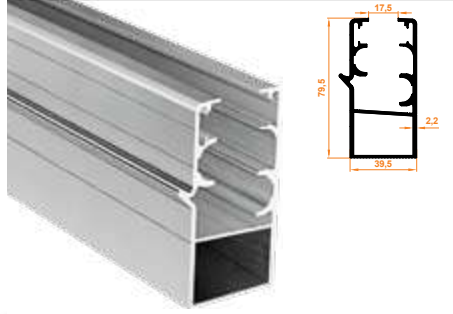
Paket İçi Adet Amount within package	3	Gramajı Weight	1,396 kg/m
---	---	-------------------	------------

109 Düz Kasa Profil
Flat Case Profile



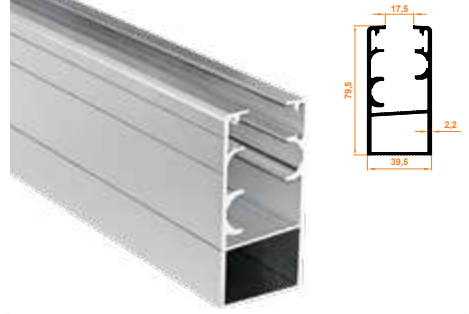
Paket İçi Adet Amount within package	3	Gramajı Weight	1,355 kg/m
---	---	-------------------	------------

106 Oluklu Büyük Kasa Profil
Corrugated Big Case Profile



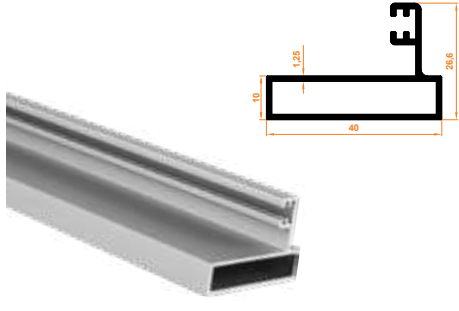
Paket İçi Adet Amount within package	3	Gramajı Weight	1,611 kg/m
---	---	-------------------	------------

107 Büyük Düz Kasa Profil
Big Flat Case Profile



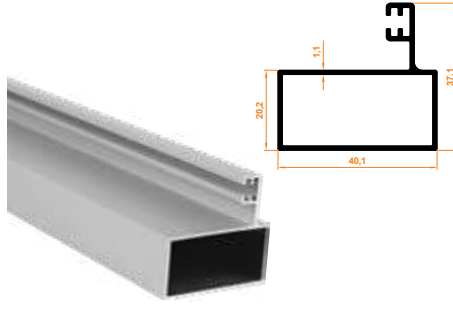
Paket İçi Adet Amount within package	3	Gramajı Weight	1,570 kg/m
---	---	-------------------	------------

100 Dar Yan Dikme Profil
Thin Side Column Profile



Paket İçi Adet Amount within package	6	Gramajı Weight	0,441 kg/m
---	---	-------------------	------------

108 Geniş Yan Dikme Profil
Thick Side Column Profile



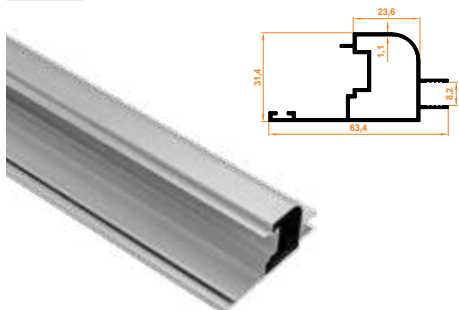
Paket İçi Adet Amount within package	6	Gramajı Weight	0,457 kg/m
---	---	-------------------	------------

111 Stor Profil
Stor Profile



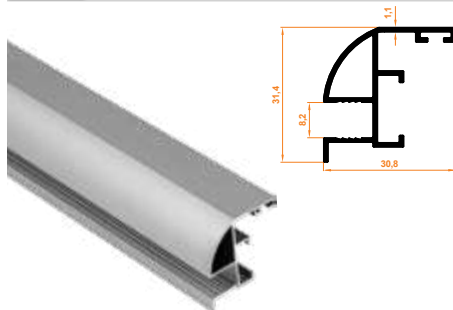
Paket İçi Adet Amount within package	2	Gramajı Weight	1,062 kg/m
---	---	-------------------	------------

135 8 mm İspanyolet Profil
8 mm Espagnolette Profile



Paket İçi Adet Amount within package	6	Gramajı Weight	0,517 kg/m
---	---	-------------------	------------

136 8 mm İspanyolet Profil Karşılığı
8 mm Espagnolette Combination Profile

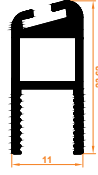


Paket İçi Adet Amount within package	6	Gramajı Weight	0,343 kg/m
---	---	-------------------	------------

8mm CAM BALKON FİTİL PROFİLLERİ

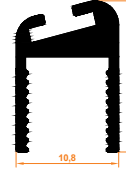
8mm Balcony Wick Profiles

1 Büyük D Fıtıl
Big D Wick



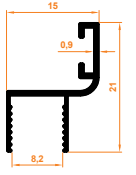
Paket İçi Adet Amount within package	10	Gramajı Weight	0,247 kg/m
---	----	-------------------	------------

2 Küçük D Fıtıl
Small D Wick



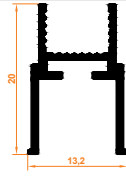
Paket İçi Adet Amount within package	10	Gramajı Weight	0,167 kg/m
---	----	-------------------	------------

3 Küçük h Fıtıl
Small h Wick



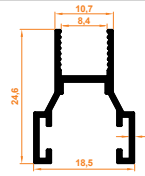
Paket İçi Adet Amount within package	20	Gramajı Weight	0,116 kg/m
---	----	-------------------	------------

4 Orta H Fıtıl
Medium H Wick



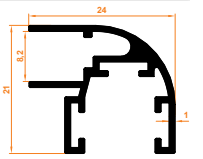
Paket İçi Adet Amount within package	20	Gramajı Weight	0,150 kg/m
---	----	-------------------	------------

5 Büyük H Fıtıl
Big H Wick



Paket İçi Adet Amount within package	20	Gramajı Weight	0,214 kg/m
---	----	-------------------	------------

6 Köşe Dönüş Fıtıl
Corner Return Wick



Paket İçi Adet Amount within package	10	Gramajı Weight	0,276 kg/m
---	----	-------------------	------------



Alüminyum Renk Seçeneği

Aluminum Color Options

9016

Beyaz
White

E6

Mat Eloksal
Matt Anodized

M0

Mat Bronz
Matt Bronze

P0

Parlak Bronz
Gloss Bronze

8003

Altın Meşe
Golden Oak

8016

Maun
Mahogany

7016

Antrasit Gri
Anthracite Gray

Eloksal Boyalı

Anodized Painted

Bronz Boyalı

Bronze Painted

PRC 01 Düz Baza Kapak Sağ-Sol gold distant geçmeli sistem
Base Intermediate Cover Flat Right-Left



Paket İçi Adet | 150 | Koli İçi Adet | 1.500
Amount within package | Amount within parcel

PRC 02 Gold Radius Kapak gold distant geçmeli sistem
Gold Radius Cover Flat



Paket İçi Adet | 100 | Koli İçi Adet | 600
Amount within package | Amount within parcel

PRC 05 90° Alt Kapak Sağ-Sol gold distant geçmeli sistem
90° Bottom Cover Right-Left



Paket İçi Adet | 100 | Koli İçi Adet | 400
Amount within package | Amount within parcel

PRC 06 90° Üst Kapak Sağ-Sol gold distant geçmeli sistem
90° Top Cover Right-Left



Paket İçi Adet | 100 | Koli İçi Adet | 400
Amount within package | Amount within parcel

PRC 09 Baza Bitiş Kapak Sağ-Sol gold distant geçmeli sistem
Base Side Column Cover Right-Left



Paket İçi Adet | 100 | Koli İçi Adet | 800
Amount within package | Amount within parcel

PRC 11 22,5° Alt Kapak Sağ-Sol gold distant geçmeli sistem
22,5° Bottom Cover Right-Left



Paket İçi Adet | 100 | Koli İçi Adet | 800
Amount within package | Amount within parcel

PRC 12 Gold Baza Profil gold distant geçmeli sistem
Gold Base Profile



Paket İçi Adet | 100 | Koli İçi Adet | 800
Amount within package | Amount within parcel

PRC 01pim Gold Baza Profil gold pimli sistem
Gold Base Profile



Paket İçi Adet | 150 | Koli İçi Adet | 1.500
Amount within package | Amount within parcel

PRC 05pim Gold Baza Profil gold pimli sistem
Gold Base Profile



Paket İçi Adet | 100 | Koli İçi Adet | 400
Amount within package | Amount within parcel

PRC 06pim 90° Üst Kapak Pimli Sağ-Sol gold pimli sistem
90° Top Cover with Pin Right-Left



Paket İçi Adet | 100 | Koli İçi Adet | 400
Amount within package | Amount within parcel

PRC 09pim Baza Bitiş Kapak Pimli Sağ-Sol gold pimli sistem
Base Side Column Cover with Pin Right-Left



Paket İçi Adet | 100 | Koli İçi Adet | 800
Amount within package | Amount within parcel

PRC 11pim 22,5° Alt Kapak Pimli Sağ-Sol gold pimli sistem
22,5° Bottom Cover with Pin Right-Left



Paket İçi Adet | 100 | Koli İçi Adet | 800
Amount within package | Amount within parcel

PRC 12pim 22,5° Üst Kapak Pimli Sağ-Sol gold pimli sistem
22,5° Top Cover with Pin Right-Left



Paket İçi Adet | 100 | Koli İçi Adet | 800
Amount within package | Amount within parcel

PRC 44 Fırtına Düz Baza Kapak Sağ-Sol fırtına sistem
Fırtına Base Intermediate Cover Flat Right-Left



Paket İçi Adet | 150 | Koli İçi Adet | 1.500
Amount within package | Amount within parcel

PRC 46 Fırtına 90° Alt Kapak Sağ-Sol fırtına sistem
Fırtına 90° Bottom Cover Right-Left



Paket İçi Adet | 100 | Koli İçi Adet | 400
Amount within package | Amount within parcel

8mm CAM BALKON AKSESUARLARI

8mm Balcony Glass Accessories

PRC 47 Fırtına 90° Üst Kapak Sağ-Sol firtina sistem
Firtına 90° Top Cover Right-Left



Paket İçi Adet | 100 | Koli İçi Adet | 400
Amount within package | | Amount within parcel |

PRC 48 Fırtına Baza Bitiş Kapak Sağ-Sol firtina sistem
Firtına Base Side Column Cover Right-Left



Paket İçi Adet | 100 | Koli İçi Adet | 800
Amount within package | | Amount within parcel |

PRC 50 Fırtına 22,5° Alt Kapak Sağ-Sol firtina sistem
Firtına 22,5° Bottom Cover Right-Left



Paket İçi Adet | 100 | Koli İçi Adet | 800
Amount within package | | Amount within parcel |

PRC 51 Fırtına 22,5° Üst Kapak Sağ-Sol firtina sistem
Firtına 22,5° Top Cover Right-Left



Paket İçi Adet | 100 | Koli İçi Adet | 800
Amount within package | | Amount within parcel |

PRC 14 Kilitli Metal Teker
Locking Wheel with Stainless Pin (Metal)



Paket İçi Adet | 250 | Koli İçi Adet | 250
Amount within package | | Amount within parcel |

PRC 13 Düz Metal Teker
Plain Wheel with Stainless Pin (Metal)



Paket İçi Adet | 250 | Koli İçi Adet | 250
Amount within package | | Amount within parcel |

PRC 82 8 mm İspanyolet Karşılık Aksesuar
8 mm Espagnolette Return Accessory



Paket İçi Adet | 250 | Koli İçi Adet | 1.000
Amount within package | | Amount within parcel |

PRC 32 Plastik Zincir
Plastic Bead Rope



Paket İçi Adet | 200 m | Koli İçi Adet | 2.400 m
Amount within package | | Amount within parcel |

PRC 33 Plastik Zincir Tutamağı
Plastic Bead Rope Handle



Paket İçi Adet | 700 | Koli İçi Adet | 700
Amount within package | | Amount within parcel |

PRC 17 Yönlendirici Boynuz
Router



Paket İçi Adet | 50 | Koli İçi Adet | 300
Amount within package | | Amount within parcel |

PRC 18 Kilit
Lock



Paket İçi Adet | 100 | Koli İçi Adet | 700
Amount within package | | Amount within parcel |

PRC 26 Borulu Stoplama
Stopper



Paket İçi Adet | 150 | Koli İçi Adet | 150
Amount within package | | Amount within parcel |

PRC 22 Polyemit Lama 4'lü
Guide and Brake for System (4)



Paket İçi Adet | 200 | Koli İçi Adet | 200
Amount within package | | Amount within parcel |

PRC 23 Polyemit Lama 7'li
Guide and Brake for System (7)



Paket İçi Adet | 200 | Koli İçi Adet | 200
Amount within package | | Amount within parcel |

PRC 24 Polyemit Lama 10'lu
Guide and Brake for System (10)



Paket İçi Adet | 100 | Koli İçi Adet | 100
Amount within package | | Amount within parcel |

PRC 20 Teker Çıkış Plastığı U
Outlet Plastics U



Paket İçi Adet | 100 | Koli İçi Adet | 800
Amount within package | | Amount within parcel |

PRC 79 U Çıkış Plastik Kapağı
Outlet Plastic Cover U



Paket İçi Adet | 500 | Koli İçi Adet | 500
Amount within package | | Amount within parcel |

PRC 21 Polyemit Lama Tekli
Guide and Brake for System



Paket İçi Adet | 300 | Koli İçi Adet | 300
Amount within package | | Amount within parcel |

PRC 25 İnce Yan Dikme Aparatı
Thin Side Column Equipment Sys.



Paket İçi Adet | 150 | Koli İçi Adet | 1.500
Amount within package | | Amount within parcel |

PRC 52 Kalın Yan Dikme Aparatı
Thick Side Column Equipment Sys.



Paket İçi Adet | 100 | Koli İçi Adet | 600
Amount within package | | Amount within parcel |

PRC 77 Geniş Yan Dikme Aparatı
Wide Side Column Equipment Sys.



Paket İçi Adet | 100 | Koli İçi Adet | 600
Amount within package | | Amount within parcel |

PRC 27 Alüminyum Köşe Dönüş Takımı
Hinged T-square



Paket İçi Adet | 200 | Koli İçi Adet | 200
Amount within package | | Amount within parcel |

PRC 28 Mentеше Takımı Pim Ayarlı Üst
Hinge Up - Adjustable



Paket İçi Adet | 200 | Koli İçi Adet | 200
Amount within package | | Amount within parcel |

PRC 29 Mentеше Takımı Pim Ayarlı Alt
Hinge Bottom - Adjustable



Paket İçi Adet | 200 | Koli İçi Adet | 200
Amount within package | | Amount within parcel |

PRC 30 Mentеше Takımı Üst
Hinge Up



Paket İçi Adet | 200 | Koli İçi Adet | 400
Amount within package | | Amount within parcel |

PRC 31 Mentеше Takımı Alt
Hinge Bottom



Paket İçi Adet | 200 | Koli İçi Adet | 400
Amount within package | | Amount within parcel |

ZZ 126 İspanyolet Kol
Espagnolette Handle



Paket İçi Adet | 1 | Koli İçi Adet | 40
Amount within package | | Amount within parcel |

ZZ 068 Akustik Kol
Acoustic Handle



Paket İçi Adet | 1 | Koli İçi Adet | 50
Amount within package | | Amount within parcel |

PRC 68 Eksenele Kol
Double Glass Axial Handle



Paket İçi Adet | 1 | Koli İçi Adet | 10
Amount within package | | Amount within parcel |

Isıcam Katlanır Sistem

Double Glazing Folding System

Cam Sistemleri

Katlanır Sistem

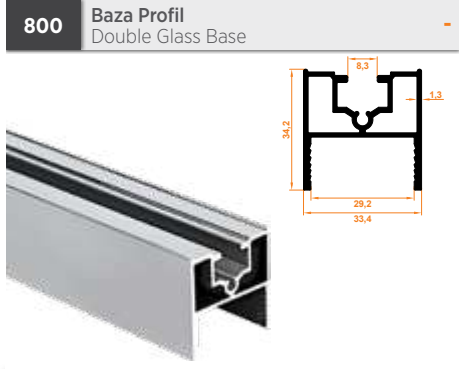
Uzun Ömürlü
Isı ve Ses Yalıtımı
Ekstra Güvenlik

Glass Systems

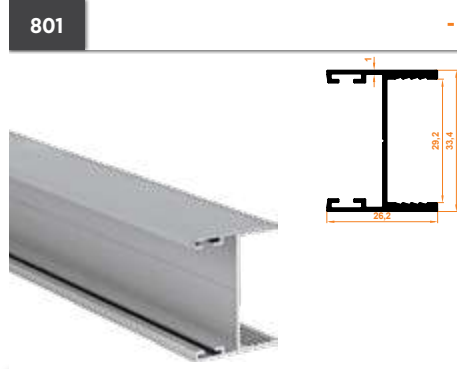
Folding System

Long-lasting
Thermal and Sound Insulation
Extra Security

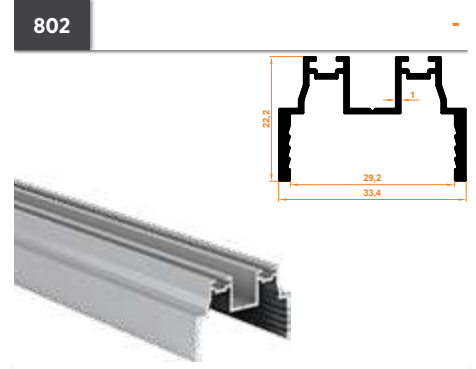




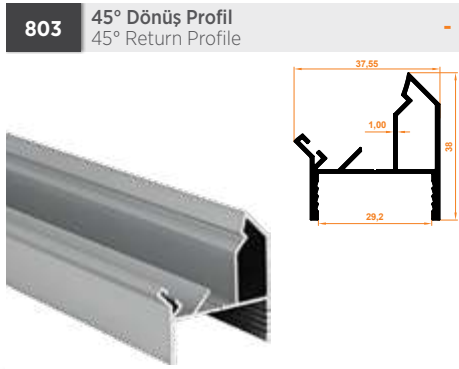
Paket İçi Adet Amount within package	6	Gramajı Weight	0,618 kg/m
---	---	-------------------	------------



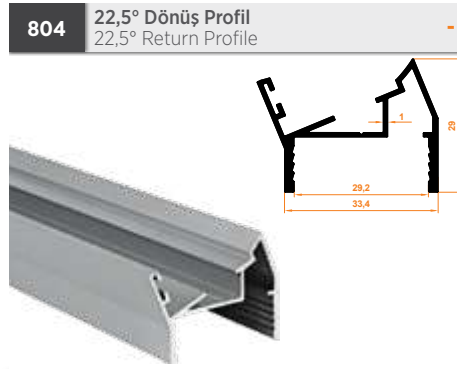
Paket İçi Adet Amount within package	6	Gramajı Weight	0,321 kg/m
---	---	-------------------	------------



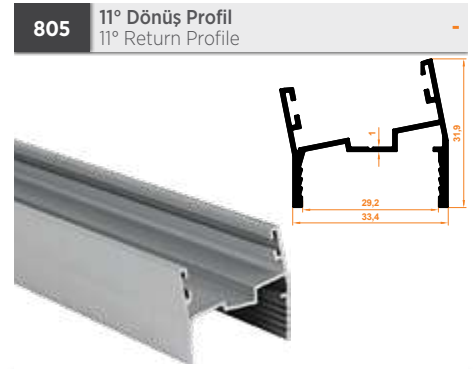
Paket İçi Adet Amount within package	6	Gramajı Weight	0,327 kg/m
---	---	-------------------	------------



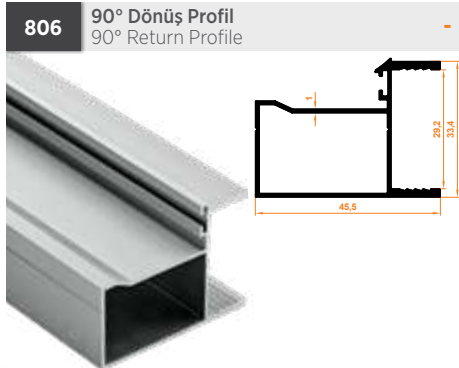
Paket İçi Adet Amount within package	6	Gramajı Weight	0,445 kg/m
---	---	-------------------	------------



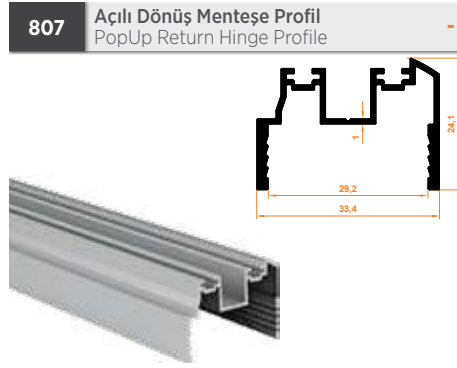
Paket İçi Adet Amount within package	6	Gramajı Weight	0,378 kg/m
---	---	-------------------	------------



Paket İçi Adet Amount within package	6	Gramajı Weight	0,366 kg/m
---	---	-------------------	------------



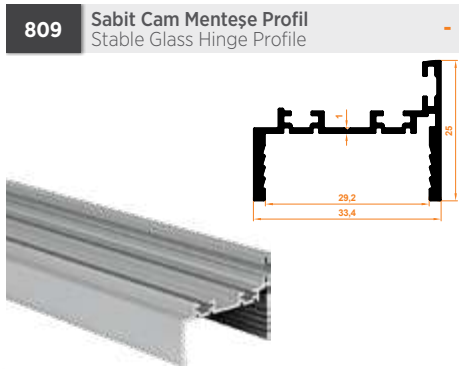
Paket İçi Adet Amount within package	6	Gramajı Weight	0,475 kg/m
---	---	-------------------	------------



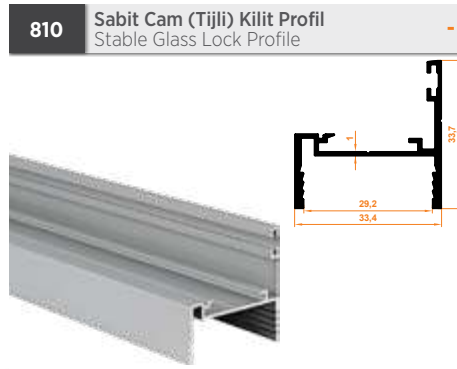
Paket İçi Adet Amount within package	6	Gramajı Weight	0,346 kg/m
---	---	-------------------	------------



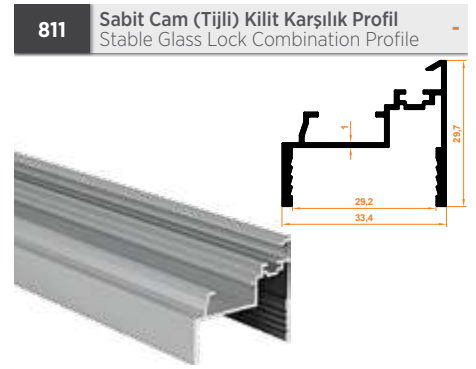
Paket İçi Adet Amount within package	6	Gramajı Weight	0,369 kg/m
---	---	-------------------	------------



Paket İçi Adet Amount within package	6	Gramajı Weight	0,328 kg/m
---	---	-------------------	------------



Paket İçi Adet Amount within package	6	Gramajı Weight	0,355 kg/m
---	---	-------------------	------------

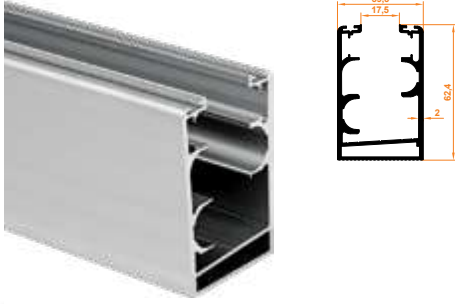


Paket İçi Adet Amount within package	6	Gramajı Weight	0,342 kg/m
---	---	-------------------	------------

ISICAM CAM BALKON PROFİLLERİ

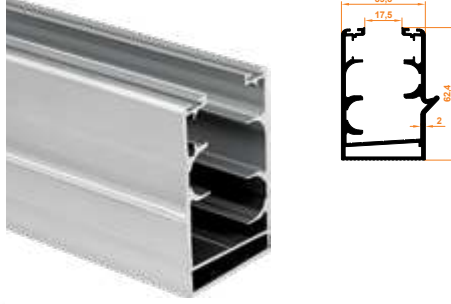
Double Glazing Balcony Glass Profiles

819 Düz Kasa Üstten Fitilli Profil
Flat Case Top Wicked Profile



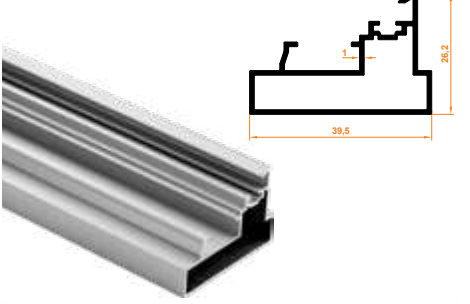
Paket İçi Adet Amount within package	3	Gramajı Weight	1,344 kg/m
---	---	-------------------	------------

820 Oluklu Kasa Üstten Fitilli Profil
Corrugated Case Top Wicked Profile



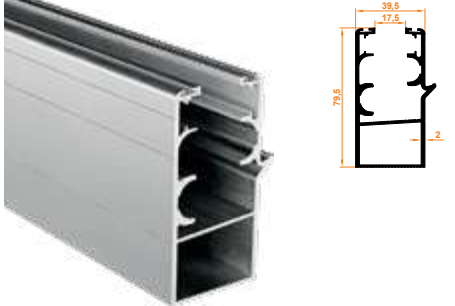
Paket İçi Adet Amount within package	3	Gramajı Weight	1,389 kg/m
---	---	-------------------	------------

822 Açılır Dikme Profil
PopUp Column Profile



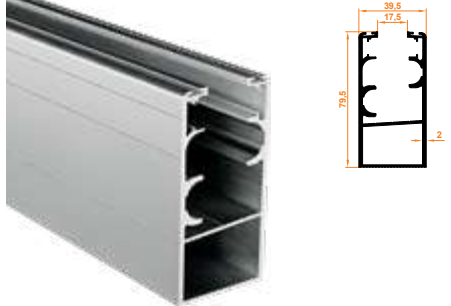
Paket İçi Adet Amount within package	6	Gramajı Weight	0,378 kg/m
---	---	-------------------	------------

816 Üstten Fitilli Büyük Oluklu Kasa
Large Corrugated Case with Top Wick



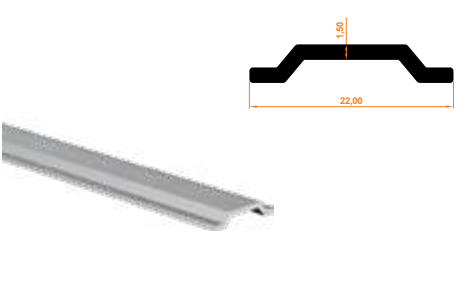
Paket İçi Adet Amount within package	3	Gramajı Weight	1,577 kg/m
---	---	-------------------	------------

817 Üstten Fitilli Büyük Düz Kasa
Large Flat Case with Wed from Top



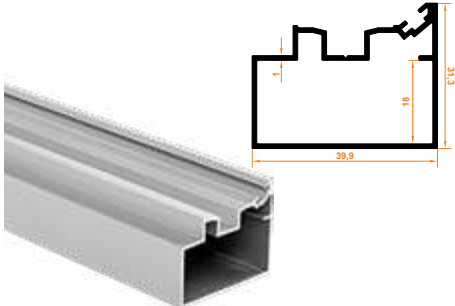
Paket İçi Adet Amount within package	3	Gramajı Weight	1,532 kg/m
---	---	-------------------	------------

815 Tij Profil
Espagnolette Profile



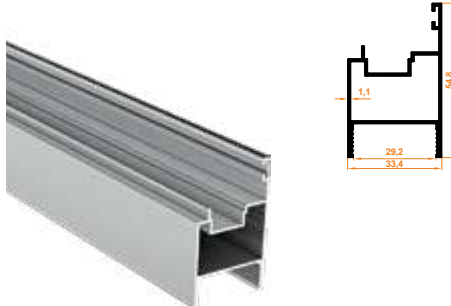
Paket İçi Adet Amount within package	10	Gramajı Weight	0,100 kg/m
---	----	-------------------	------------

823 Isıcam Geniş Yan Dikme
Double Glass Wide Side Column



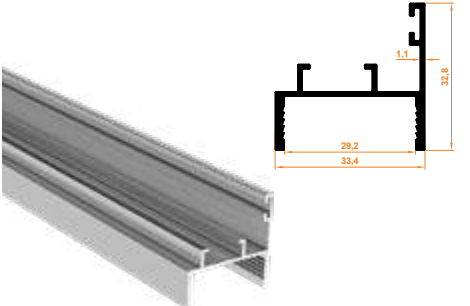
Paket İçi Adet Amount within package	6	Gramajı Weight	0,459 kg/m
---	---	-------------------	------------

824 Sabit Cam İspanyolet Profil
Fixed Glass Espagnolette Profile



Paket İçi Adet Amount within package	6	Gramajı Weight	0,583 kg/m
---	---	-------------------	------------

825 Sabit Cam İspanyolet Karşılık Profil
Fixed Glass Espagnolette Handle Provision Profile



Paket İçi Adet Amount within package	6	Gramajı Weight	0,356 kg/m
---	---	-------------------	------------



Alüminyum Renk Seçeneği

Aluminum Color Options

9016

Beyaz
White

E6

Mat Elokسال
Matt Anodized

M0

Mat Bronz
Matt Bronze

P0

Parlak Bronz
Gloss Bronze

8003

Altın Meşe
Golden Oak

8016

Maun
Mahogany

7016

Antrasit Gri
Anthracite Gray

E6

Elokسال Boyalı
Anodized Painted

E6

Bronz Boyalı
Bronze Painted

ZZ 126 İspanyolet Kol
Espagnolette Handle



Paket İçi Adet Amount within package	1	Koli İçi Adet Amount within parcel	40
---	---	---------------------------------------	----

ZZ 068 Akustik Kol
Acoustic Handle



Paket İçi Adet Amount within package	1	Koli İçi Adet Amount within parcel	50
---	---	---------------------------------------	----

PRC 68 Eksenel Kol
Double Glass Axial Handle



Paket İçi Adet Amount within package	1	Koli İçi Adet Amount within parcel	10
---	---	---------------------------------------	----

PRC 76 Kilit Karşılık (Metal)
Double Glass Lock provision (Metal)



Paket İçi Adet Amount within package	100	Koli İçi Adet Amount within parcel	400
---	-----	---------------------------------------	-----

PRC 63 Bağlantı Adaptörü
Double Glass Connection Adapter



Paket İçi Adet Amount within package	100	Koli İçi Adet Amount within parcel	400
---	-----	---------------------------------------	-----

PRC 65 Destek Takozu
Double Glass Bracket Wedge



Paket İçi Adet Amount within package	400	Koli İçi Adet Amount within parcel	400
---	-----	---------------------------------------	-----

PRC 75 Sistem Tij Pimi
System Rod Pin



Paket İçi Adet Amount within package	100	Koli İçi Adet Amount within parcel	200
---	-----	---------------------------------------	-----

PRC 73 Isı Cam EPDM Kauçuk Fitol Çift Conta
Double Glass EPDM Rubber Wick Double Gasket



Paket İçi Adet Amount within package	1 Top (10 kg)	Koli İçi Adet Amount within parcel	125 m
---	------------------	---------------------------------------	-------

PRC 74 Isı Cam EPDM Kauçuk Fitol Tek Conta
Double Glass EPDM Rubber Wick Single Gasket



Paket İçi Adet Amount within package	1 Top (10 kg)	Koli İçi Adet Amount within parcel	290 m
---	------------------	---------------------------------------	-------

Yalıtım ve Sızdırmazlık

Demarco Isıcam Katlanır Sistemler her mevsim balkon keyfi için üretildi, güvenli ispanyolet kol ve iç içe geçen kanat sistemi ile gerçek yalıtım sizlerle!

Insulating and Sealing

Demarco Double Glazing Folding Systems are designed for year-round balcony enjoyment, with real insulation thanks to the secure espagnolette handle and overlapping sash system!



Sürme Sistem

Sliding System

Cam Sistemleri

Tek/Çift Cam Sürme

Ergonomik

Ferah Mimari Yapı

Modern ve Estetik

Glass Systems

Single/Double Glass Sliding

Ergonomic

Spacious Architectural Design

Modern and Aesthetic

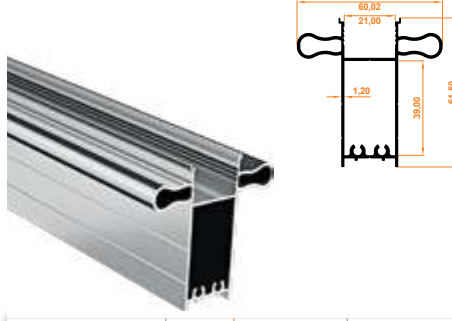


210 Sürme Baza Profil
Sliding Base Profile



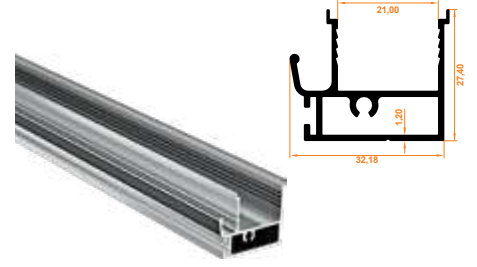
Paket İçi Adet Amount within package	4	Gramajı Weight	0,643 kg/m
---	---	-------------------	------------

215 Çekme Kol Profil
Pull Handle Profile



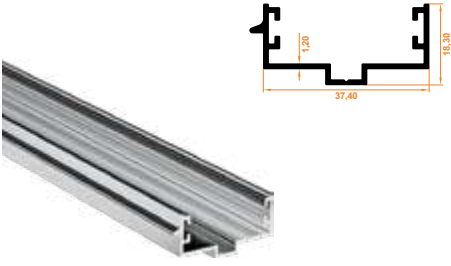
Paket İçi Adet Amount within package	3	Gramajı Weight	0,908 kg/m
---	---	-------------------	------------

212 Kenet Profil
Clamp Profile



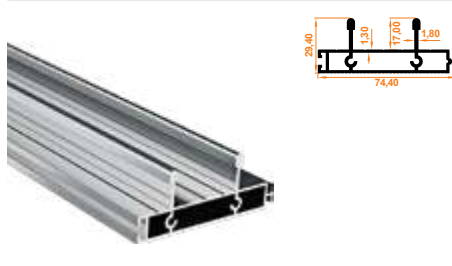
Paket İçi Adet Amount within package	6	Gramajı Weight	0,423 kg/m
---	---	-------------------	------------

211 Birleştirme Karşılık Profil
Combination Provisions Profile



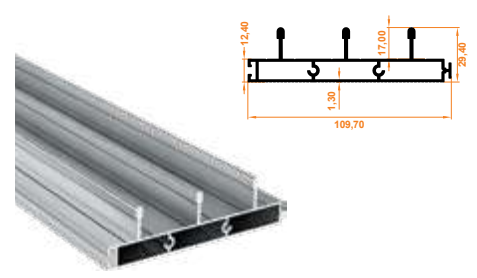
Paket İçi Adet Amount within package	6	Gramajı Weight	0,301 kg/m
---	---	-------------------	------------

213 İkilî Eşikli Alt Kasa Profil
Double Threshold Lower Case Profile



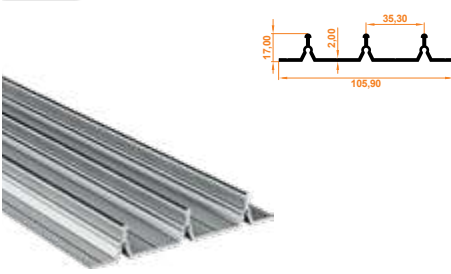
Paket İçi Adet Amount within package	4	Gramajı Weight	0,974 kg/m
---	---	-------------------	------------

222 Üçlü Eşikli Alt Kasa Profil
Triple Threshold Lower Case Profile



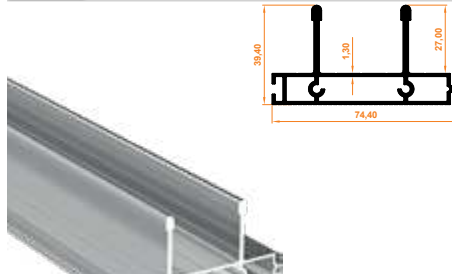
Paket İçi Adet Amount within package	2	Gramajı Weight	1,333 kg/m
---	---	-------------------	------------

220 Üçlü Eşiksiz Alt Kasa Profil
Triple Bottom Case Profile without Threshold



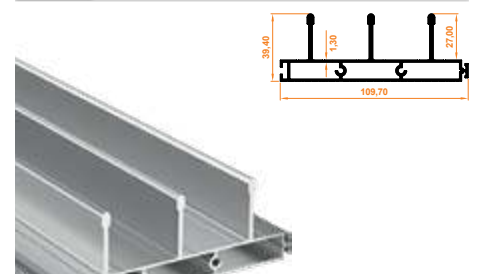
Paket İçi Adet Amount within package	4	Gramajı Weight	0,867 kg/m
---	---	-------------------	------------

229 İkilî Üst Kasa Profil
Double Upper Case Profile



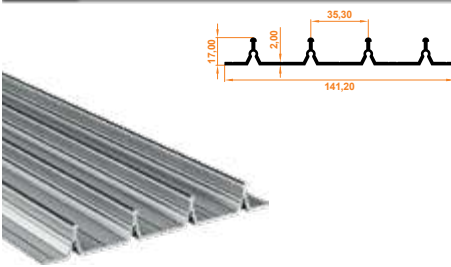
Paket İçi Adet Amount within package	3	Gramajı Weight	1,120 kg/m
---	---	-------------------	------------

230 İkilî Üçlü Kasa Profil
Triple Upper Case Profile



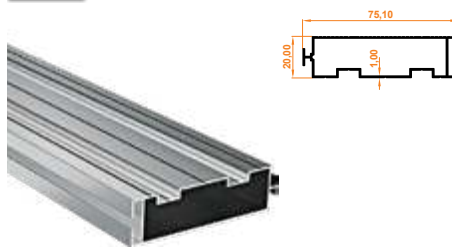
Paket İçi Adet Amount within package	2	Gramajı Weight	1,552 kg/m
---	---	-------------------	------------

221 Dörtlü Eşiksiz Alt Kasa Profil
Quadruple Bottom Case Profile without Threshold



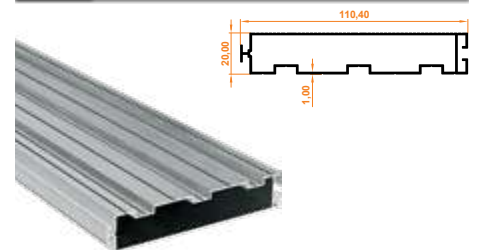
Paket İçi Adet Amount within package	2	Gramajı Weight	1,156 kg/m
---	---	-------------------	------------

214 İkilî Yan Kasa Profil
Double Side Case Profile

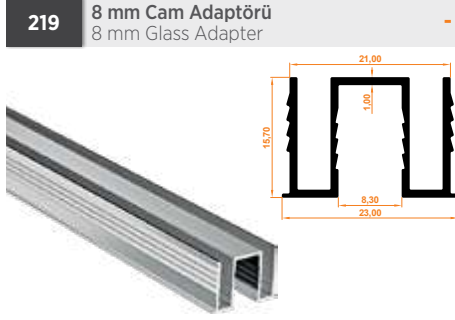


Paket İçi Adet Amount within package	4	Gramajı Weight	0,587 kg/m
---	---	-------------------	------------

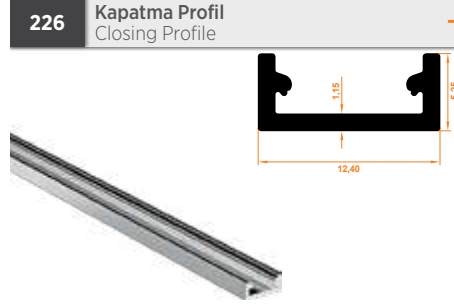
223 Üçlü Yan Kasa Profil
Triple Side Case Profile



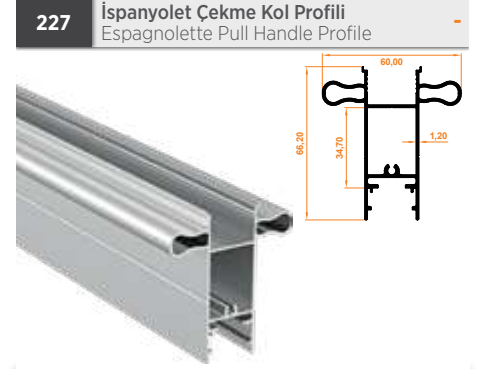
Paket İçi Adet Amount within package	2	Gramajı Weight	0,792 kg/m
---	---	-------------------	------------



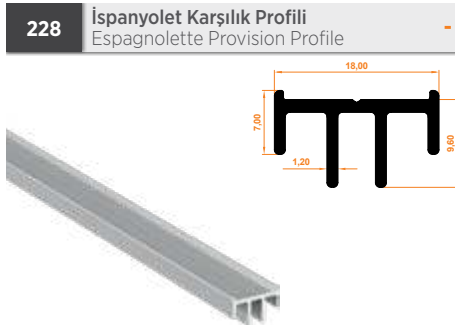
Paket İçi Adet Amount within package	10	Gramajı Weight	0,219 kg/m
---	----	-------------------	------------



Paket İçi Adet Amount within package	10	Gramajı Weight	0,071 kg/m
---	----	-------------------	------------



Paket İçi Adet Amount within package	4	Gramajı Weight	0,957 kg/m
---	---	-------------------	------------



Paket İçi Adet Amount within package	10	Gramajı Weight	0,156 kg/m
---	----	-------------------	------------



Alüminyum Renk Seçeneği

Aluminum Color Options

9016

Beyaz
White

E6

Mat Eloksal
Matt Anodized

M0

Mat Bronz
Matt Bronze

P0

Parlak Bronz
Gloss Bronze

8003

Altın Meşe
Golden Oak

8016

Maun
Mahogany

7016

Antrasit Gri
Anthracite Gray

E6

Eloksal Boyalı
Anodized Painted

M0

Bronz Boyalı
Bronze Painted

PSS 1 Çekme Kol Profil Aksesuarı **Siyah/ Black**
Sliding Profile Plastic



Paket İçi Adet Amount within package	50	Koli İçi Adet Amount within parcel	200
---	----	---------------------------------------	-----

PSS 2 Kenet Profil Aksesuarı - Üst **Siyah/ Black**
Tensile Profile Plastic Top



Paket İçi Adet Amount within package	50	Koli İçi Adet Amount within parcel	200
---	----	---------------------------------------	-----

PSS 3 Kenet Profil Aksesuarı - Alt **Siyah/ Black**
Tensile Profile Plastic Bottom



Paket İçi Adet Amount within package	50	Koli İçi Adet Amount within parcel	200
---	----	---------------------------------------	-----

PSS 4 İspanyollet Çekme Kol Aksesuarı **Siyah/ Black**
Espagnolette Pull Handle Accessory



Paket İçi Adet Amount within package	50	Koli İçi Adet Amount within parcel	200
---	----	---------------------------------------	-----

PSS 5 İkili Köşe Takozu **Siyah/ Black**
Double Corner Wedge



Paket İçi Adet Amount within package	50	Koli İçi Adet Amount within parcel	200
---	----	---------------------------------------	-----

PSS 6 Üçlü Köşe Takozu **Siyah/ Black**
Triple Corner Wedge



Paket İçi Adet Amount within package	50	Koli İçi Adet Amount within parcel	200
---	----	---------------------------------------	-----

PSS 7 Vida Tapası **Siyah/ Black**
Screw Plug



Paket İçi Adet Amount within package	100	Koli İçi Adet Amount within parcel	2.000
---	-----	---------------------------------------	-------

PSS 12 Sürme Yalıtım Aksesuarı **Siyah/ Black**
Sliding Insulation Accessory



Paket İçi Adet Amount within package	1	Koli İçi Adet Amount within parcel	200
---	---	---------------------------------------	-----

PSS 8 Paslanmaz Lüks Teker **Siyah/ Black**
Stainless Luxury Wheel



Paket İçi Adet Amount within package	1	Koli İçi Adet Amount within parcel	200
---	---	---------------------------------------	-----

PSS 9 Havuz Kol (Kilitsiz) **Siyah/ Black**
Hole Handle (Unlocked)



Paket İçi Adet Amount within package	1	Koli İçi Adet Amount within parcel	1
---	---	---------------------------------------	---

PSS 10 Klips Kol **Siyah/ Black**
Clasp Handle



Paket İçi Adet Amount within package	1	Koli İçi Adet Amount within parcel	1
---	---	---------------------------------------	---

PSS 11 Kale 201 F (Horoz) Kilit **Siyah/ Black**
Kale 201 F (Pin) Lock



Paket İçi Adet Amount within package	1	Koli İçi Adet Amount within parcel	1
---	---	---------------------------------------	---

Giyotin Sistem

Guillotine System

Cam Sistemleri

Kumandalı Sistem

İnovatif

Esnek Kullanım

Kolay Temizlik

Glass Systems

Remote Controlled System

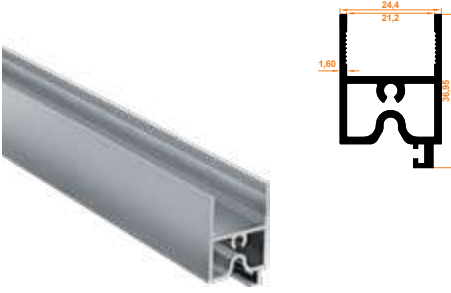
Innovative

Esnek Kullanım

Easy Cleaning



140 Sabit Panel Açılır Alt Baza Profil
Fixed Panel Pop-up Base Profile



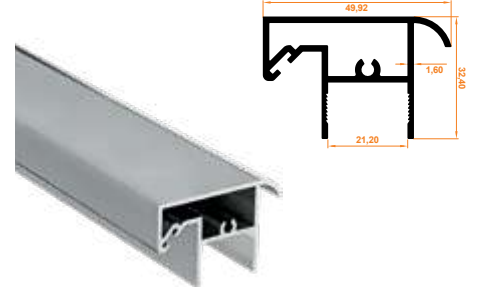
Paket İçi Adet Amount within package	6	Gramajı Weight	0,563 kg/m
---	---	-------------------	------------

164 Sabit Panel Yan Dikme Profil
Fixed Panel Side Column Profile



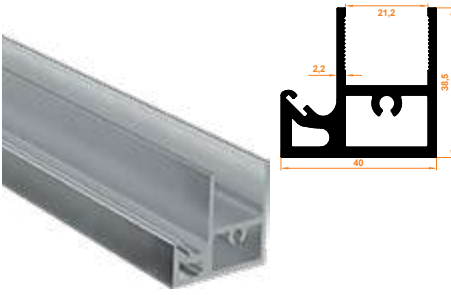
Paket İçi Adet Amount within package	4	Gramajı Weight	0,842 kg/m
---	---	-------------------	------------

142 Sabit Panel Üst Baza Profil
Fixed Panel Top Base Profile



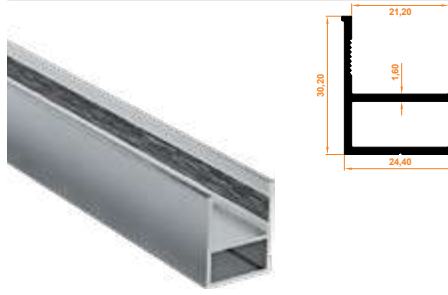
Paket İçi Adet Amount within package	4	Gramajı Weight	0,750 kg/m
---	---	-------------------	------------

167 Kenet Baza Profil
Clamp Base Profile



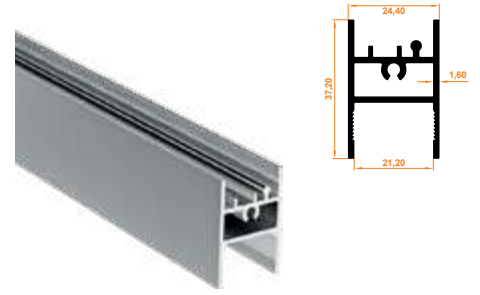
Paket İçi Adet Amount within package	4	Gramajı Weight	1,144 kg/m
---	---	-------------------	------------

144 Hareketli Panel Yan Dikme Profil
Movable Panel Side Column Profile



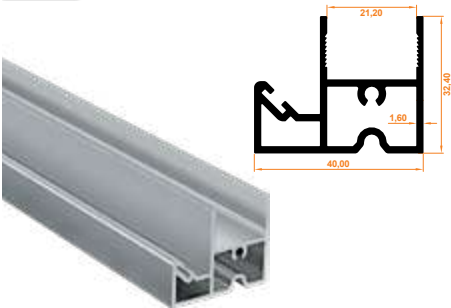
Paket İçi Adet Amount within package	6	Gramajı Weight	0,434 kg/m
---	---	-------------------	------------

145 Küşte Baza Profil
Handrail Base Profile



Paket İçi Adet Amount within package	6	Gramajı Weight	0,579 kg/m
---	---	-------------------	------------

146 Hareketli Panel Açılır Alt Baza Profil
Movable Panel Pop-up Lower Base Profile



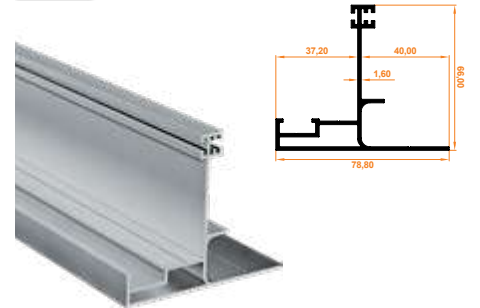
Paket İçi Adet Amount within package	4	Gramajı Weight	0,741 kg/m
---	---	-------------------	------------

161 Ray Kapatma "T" Profil
Rail Closure "T" Profile



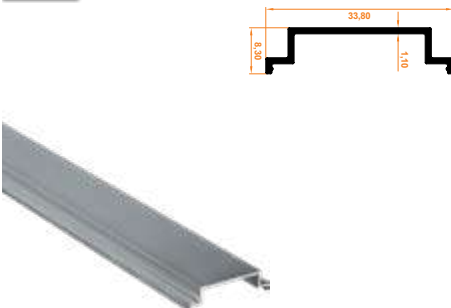
Paket İçi Adet Amount within package	4	Gramajı Weight	0,482 kg/m
---	---	-------------------	------------

160 Yan Ray "T" Profil
Side Rail "T" Profile



Paket İçi Adet Amount within package	2	Gramajı Weight	1,057 kg/m
---	---	-------------------	------------

166 Açılımlı İin Ray Kapatma 'L' Profil
Rail Closure 'L' Profile for Opening



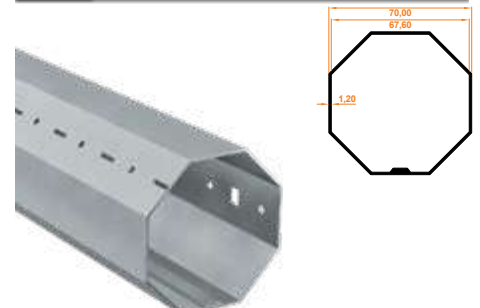
Paket İçi Adet Amount within package	10	Gramajı Weight	0,144 kg/m
---	----	-------------------	------------

162 Yan Ray "L" Profil
Side Rail "L" Profile

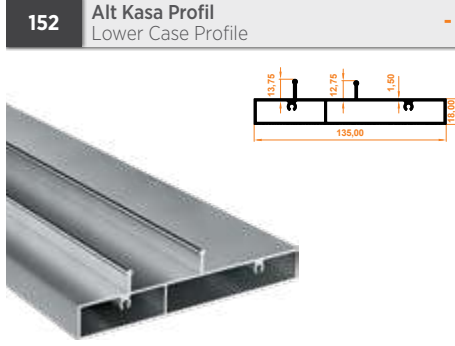


Paket İçi Adet Amount within package	4	Gramajı Weight	0,703 kg/m
---	---	-------------------	------------

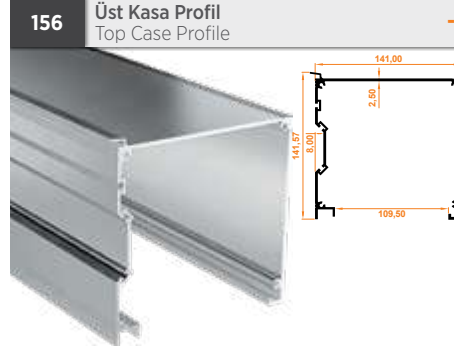
GYT 28 Sac Tambur Borusu
Sheet Drum Pipe



Paket İçi Adet Amount within package	1	Gramajı Weight	7 m
---	---	-------------------	-----



Paket İçi Adet Amount within package	2	Gramajı Weight	1,563 kg/m
---	---	-------------------	------------



Paket İçi Adet Amount within package	1	Gramajı Weight	3,449 kg/m
---	---	-------------------	------------



Paket İçi Adet Amount within package	2	Gramajı Weight	0,864 kg/m
---	---	-------------------	------------



Paket İçi Adet Amount within package	2	Gramajı Weight	1,669 kg/m
---	---	-------------------	------------



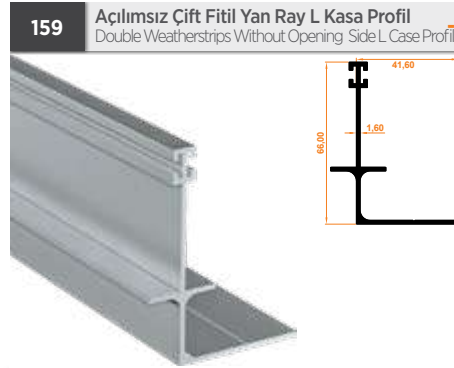
Paket İçi Adet Amount within package	2	Gramajı Weight	0,759 kg/m
---	---	-------------------	------------



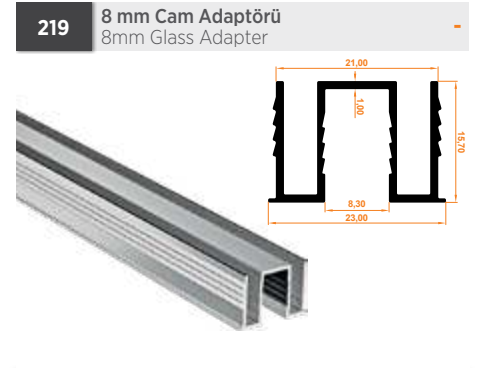
Paket İçi Adet Amount within package	4	Gramajı Weight	0,644 kg/m
---	---	-------------------	------------



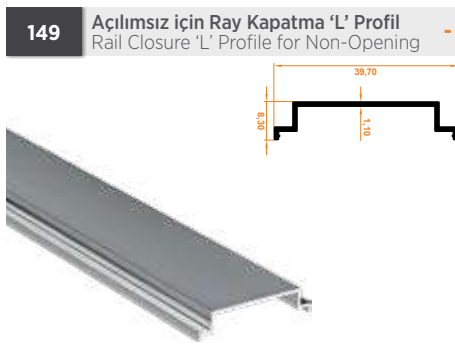
Paket İçi Adet Amount within package	4	Gramajı Weight	0,510 kg/m
---	---	-------------------	------------



Paket İçi Adet Amount within package	4	Gramajı Weight	0,660 kg/m
---	---	-------------------	------------



Paket İçi Adet Amount within package	10	Gramajı Weight	0,219 kg/m
---	----	-------------------	------------



Paket İçi Adet Amount within package	10	Gramajı Weight	0,162 kg/m
---	----	-------------------	------------

Alüminyum Renk Seçeneği

Aluminum Color Options

7016

Antrasit Gri
Anthracite Gray

9005

Siyah
Black

GYT 1 Kūpeste Baza Profil Aksesuarı **Siyah/ Black**
Handrail Base Profile Accessories



Koli İçi Adet
Amount within parcel 100

GYT 2 Sabit Panel Aksesuar - Alt **Siyah/ Black**
Fixed Panel Accessory - Bottom



Koli İçi Adet
Amount within parcel 100

GYT 3A Kenet Kapak Profil-Sağ/Sol 146 **Siyah/ Black**
Clamp Profile Plastics-Right/Left 146



Koli İçi Adet
Amount within parcel 200

GYT 3B Kenet Kapak Profil-Sağ/Sol 167 **Siyah/ Black**
Clamp Profile Plastics-Right/Left 167



Koli İçi Adet
Amount within parcel 400

GYT 4 Oluklu Kōşe Takozu **Siyah/ Black**
Corrugated Corner Wedge



Koli İçi Adet
Amount within parcel 50

GYT 5 Kōşe Takozu **Siyah/ Black**
Corner Wedge



Koli İçi Adet
Amount within parcel 100

GYT 6 Ūst Kasa Rulmanlı Kapak **Siyah/ Black**
Top Case Bearing Cover



Koli İçi Adet
Amount within parcel 20

GYT 7 Ūst Kasa Motor Baēlantı Kapak **Siyah/ Black**
Top Case Engine Connection Cover



Koli İçi Adet
Amount within parcel 20

GYT 8 Yan Kasa Kōşe Birleřtirme Takozu **Siyah/ Black**
Side Case Corner Joint Plastic



Koli İçi Adet
Amount within parcel 100

GYT 9 Kūpeste Kapaēı-Saē/Sol **Siyah/ Black**
Handrail Cover-Right/Left



Koli İçi Adet
Amount within parcel 200

GYT 10 Zincir Kapama Aksesuar-Saē/Sol **Siyah/ Black**
Chain Cover Accessory-Right/Left



Koli İçi Adet
Amount within parcel 200

GYT 11 Cift Aēılır Sabit Panel Aks. Ūst-Saē/Sol **Siyah/ Black**
Double Open Fixed Panel Acc. Top-Right/Left



Koli İçi Adet
Amount within parcel 200

GYT 27 Açılımsız Sabit Panel Aksesuar-Alt **Siyah/ Black**
Fixed Panel Acc. without Opening-Bottom



Koli İçi Adet
Amount within parcel

100

GYT 12 Giyotin Makası **-**
Guillotine Junction



Koli İçi Adet
Amount within parcel

6 Set/Sets

GYT 13 Orta Panel Çeliği **Siyah/ Black**
Center Panel Steel



Koli İçi Adet
Amount within parcel

40

GYT 14 Kilit Takımı **Siyah/ Black**
Lock Set



Koli İçi Adet
Amount within parcel

100

GYT 15 Zincir Bağlantı Elemanı **Siyah/ Black**
Chain Connector



Koli İçi Adet
Amount within parcel

40

GYT 16 Tekerli Bağlantı Elemanı **-**
Wheel Connector



Koli İçi Adet
Amount within parcel

80

GYT 17 Panel Hizalama-Sağ/Sol **Siyah/ Black**
Panel Aligning-Right/Left



Koli İçi Adet
Amount within parcel

100

GYT 19 Tambur Bağlantı Elemanı **-**
Drum Connector



Koli İçi Adet
Amount within parcel

20

GYT 20 Zincir Dişli **-**
Sprocket



Koli İçi Adet
Amount within parcel

20

GYT 18 Zincir Yönlendirici **Siyah/ Black**
Chain Router



Koli İçi Adet
Amount within parcel

100

GYT 21 Zincir **-**
Chain



Koli İçi Adet
Amount within parcel

1 (5 m)

GYT 25 Zincir Ağırlık **-**
Chain Weight



Koli İçi Adet
Amount within parcel

16

GYT 26 Sabit Panel Sızdırmazlık Contası **Siyah/ Black**
Fixed Panel Sealing Gasket



Koli İçi Adet
Amount within parcel

200 m

GYT 30 Balon Conta **Siyah/ Black**
Balloon Gasket



Koli İçi Adet
Amount within parcel

100 m

GYT 31 Giyotin Motor (120 Nm) **Somfy**
Guillotine Engine (120 Nm)

somfy.



Koli İçi Adet
Amount within parcel

1

KMD 1 Motor Kumandası (tekli) **Somfy**
Engine Remote Control (mono)

somfy.



Koli İçi Adet
Amount within parcel

1

KMD 2 Motor Kumandası (çoklu) **Somfy**
Engine Remote Control (multi)

somfy.

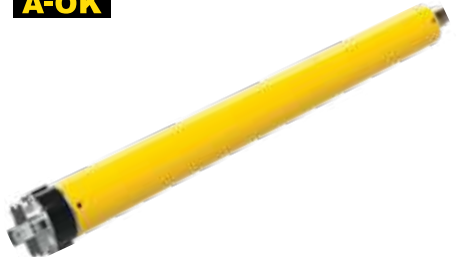


Koli İçi Adet
Amount within parcel

1

GYT 32 Giyotin Motor (120 Nm) **A-OK**
Guillotine Engine (120 Nm)

A-OK



Koli İçi Adet
Amount within parcel

1

KMD 3 Motor Kumandası (tekli) **A-OK**
Engine Remote Control (mono)

A-OK



Koli İçi Adet
Amount within parcel

1

KMD 4 Motor Kumandası (çoklu) **A-OK**
Engine Remote Control (multi)

A-OK



Koli İçi Adet
Amount within parcel

1

Yeni Tarzınız Giyotin Sistem

Giyotin Cam Balkon Sistemi, modern mimariye uygun, dayanıklı ve estetik bir çözümdür. Üç hareketli cam panel içerir, alt panel sabit kalırken diğer paneller yukarı ve aşağı hareket edebilir. Tüm paneller aşağı indiğinde kolayca temizlenebilirler, iç mekanlara doğal ışık ve ferahlık getirir.

Your New Style Guillotine System

Guillotin Glass Balcony System is a durable and aesthetic solution designed for modern architecture. It consists of three movable glass panels, with the bottom panel fixed while the others can move up and down. When all panels are lowered, they can be easily cleaned, bringing natural light and freshness into indoor spaces.



Cam Tavan Sistemleri

Glass Ceiling Systems

Cam Sistemleri

Kış Bahçesi

Ferah Mimari Yapı
Modern ve Estetik
Ek Yaşam Alanı

Glass Systems

Winter Garden

Spacious Architectural Design
Modern and Aesthetic
Additional Living Space

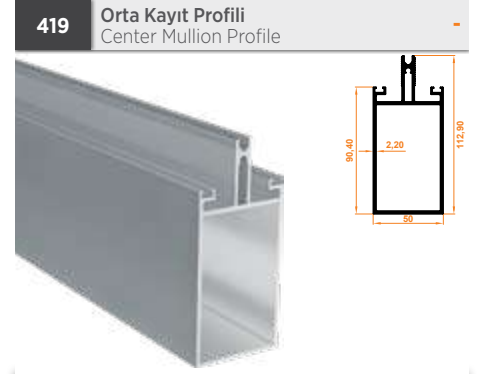




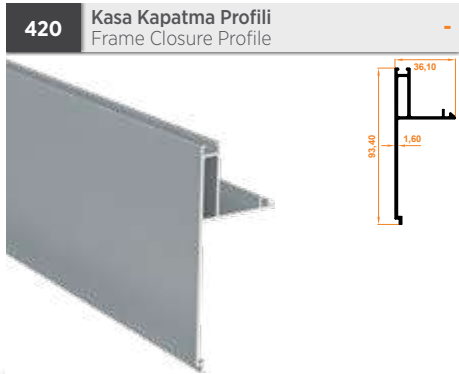
Paket İçi Adet Amount within package	6	Gramajı Weight	0,467 kg/m
---	---	-------------------	------------



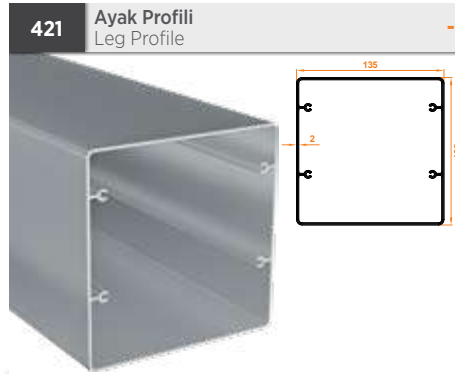
Paket İçi Adet Amount within package	10	Gramajı Weight	0,329 kg/m
---	----	-------------------	------------



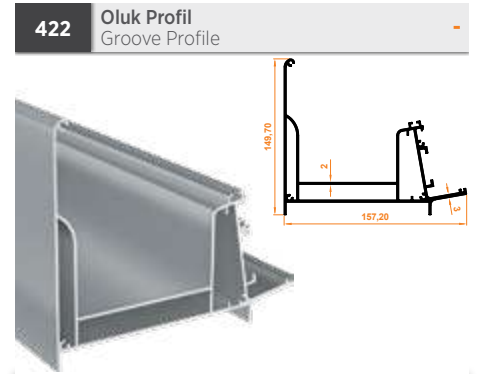
Paket İçi Adet Amount within package	2	Gramajı Weight	2,100 kg/m
---	---	-------------------	------------



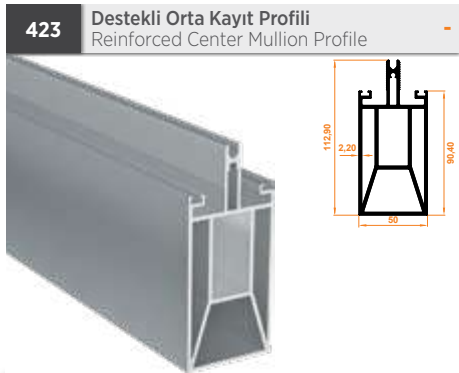
Paket İçi Adet Amount within package	4	Gramajı Weight	0,682 kg/m
---	---	-------------------	------------



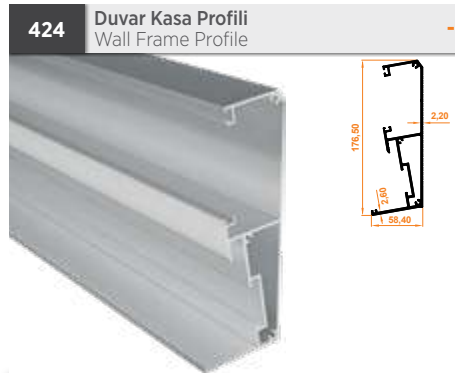
Paket İçi Adet Amount within package	1	Gramajı Weight	3,184 kg/m
---	---	-------------------	------------



Paket İçi Adet Amount within package	1	Gramajı Weight	4,318 kg/m
---	---	-------------------	------------



Paket İçi Adet Amount within package	2	Gramajı Weight	3,142 kg/m
---	---	-------------------	------------



Paket İçi Adet Amount within package	1	Gramajı Weight	2,835 kg/m
---	---	-------------------	------------



Paket İçi Adet Amount within package	4	Gramajı Weight	0,847 kg/m
---	---	-------------------	------------



Paket İçi Adet Amount within package	1	Gramajı Weight	3,434 kg/m
---	---	-------------------	------------



Paket İçi Adet Amount within package	2	Gramajı Weight	2,271 kg/m
---	---	-------------------	------------




Paket İçi Adet Amount within package	8	Gramajı Weight	0,501 kg/m
---	---	-------------------	------------

CT 01 Orta Kayıt Plastik Kapak **Siyah/ Black**
Middle Mullion Plastic Cover



Koli İçi Adet
Amount within parcel

60

CT 02 Ayak Profili Sabitleme Aksesuarı 
Leg Profile Fixing Accessory



Koli İçi Adet
Amount within parcel


20

CT 03 Metal Oluk Kasa Kapak 
Metal Gutter Box Cover



Koli İçi Adet
Amount within parcel

20

CT 04 Metal Duvar Kasa Kapak 
Metal Wall Casing Cover



Koli İçi Adet
Amount within parcel

20

CT 05 Oluklu Kasa Bağlantı Aksesuarı 
Corrugated Box Connection Accessory



Koli İçi Adet
Amount within parcel

100

CT 06 Duvar Kasa Bağlantı Aksesuarı 
Wall Casing Connection Accessory



Koli İçi Adet
Amount within parcel

100

CT 7 Orta Kayıt Contası **Cam Çıta Contası** **CT 8**
Middle Mullion Gasket Glass Strip Gasket

Siyah/ Black 



Koli İçi Adet
Amount within parcel

200 mt

Koli İçi Adet
Amount within parcel

140 mt

CT 9 Oluk Kasa Yalıtım Yaprak Contası **Siyah/ Black**
Gutter Box Insulation Leaf Gasket



Koli İçi Adet
Amount within parcel


85 mt

CT 10 Duvar Kasa Yalıtım Yaprak Contası **Siyah/ Black**
Wall Casing Insulation Leaf Gasket



Koli İçi Adet
Amount within parcel


55 mt

CT 11 Gizli Ayak Profili Sabitleme Aksesuarı 
Hidden Leg Profile Fixing Accessory



Koli İçi Adet
Amount within parcel

20

CT 12 Destek Kutu Sabitleme Aksesuarı 
Reinforcing Box Fixing Accessory



Koli İçi Adet
Amount within parcel

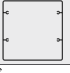
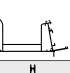
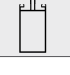
40

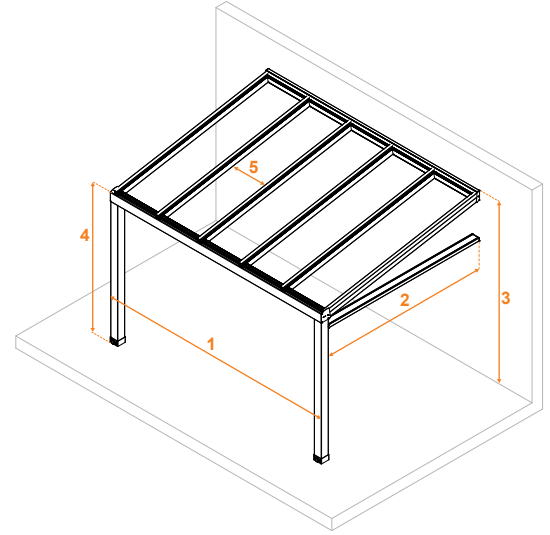
CT 13 Filtre Kapağı **Siyah/ Black**
Filter Cover



Koli İçi Adet
Amount within parcel

20

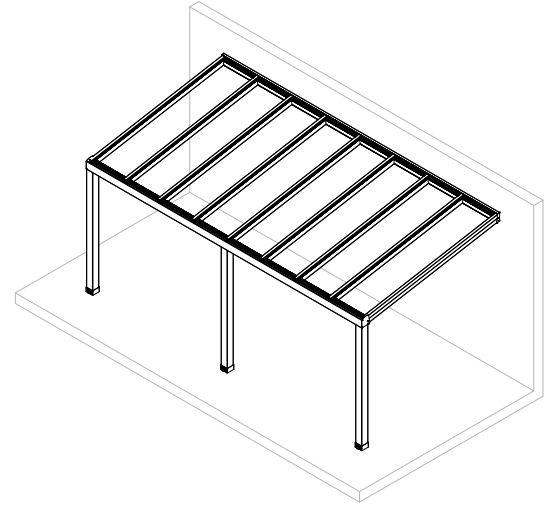
	Teknik Özellikler Technical Specifications	Desteksiz Unreinforced	Destekli Reinforced
↓ ↑	Profil Et Kesit Kalınlığı Profile Wall Thickness	1,2 - 3 mm	
	Ayak Profil Geniřliđi Pole Profile Width	135 mm	
	Oluk Profil Geniřliđi Gutter Profile Width	158 mm	
	Kayıt Profil Geniřliđi Center Mullion Profile Width	50 mm	
1	İki Ayak Arası Maks. Geniřlik Max. Width Between Pole Profiles	4.500 mm	
2	Maks. Derinlik Max. Depth	4.000 mm	4.500 mm
3	Maks. Arka Yükseklik Max. Back Height	3.000 mm	
4	Maks. Ön Yükseklik Max. Front Height	2.500 mm	
5	Maks. Cam Geniřliđi Max. Glazing Width	750 mm	
-	Min. Cam Kalınlığı Min. Glazing Thickness	8 mm	
-	Maks. Cam Kalınlığı Max. Glazing Thickness	20 mm	28 mm



* 10 derece eğim
10-degree slope



Sınırsız genişlik **
Unlimited width



Dođal Iřık ve Ferahlık

Demarco Alüminyum & Cam Sistemleri olarak tasarladığımız Cam Tavan Sistemleri, meknlara eşsiz bir estetik katmak için özenle geliştirilmiştir. Modern ve şık tasarımıyla göz dolduran bu sistemler, aynı zamanda doğal ışık ve ferahlık sunar. Dayanıklı alüminyum yapısıyla uzun ömürlü kullanım sağlayan ürünlerimiz, her türlü mekana zarif bir dokunuş getirir. Farklı boyut ve özelliklerdeki cam tavanlarımız, meknanızı geniş ve aydınlık bir atmosfere dönüřtürmenin yanı sıra, modern mimarinin gerekliliklerine uygun çözümler sunar. Isı yalıtımı ve ses yalıtımı özelliklerine sahip olan Demarco Cam Tavan Sistemleri, enerji tasarrufu sağlamanın yanı sıra, iç mekan konforunu artırır. Güvenlik standartlarına uygun olarak üretilen sistemlerimiz, kullanıcıların güvenliğini her zaman ön planda tutar. Demarco Cam Tavan Sistemleri, estetik tasarımıyla meknanızı güzelleştirirken, sağlamlığıyla da güven verir.



Natural Light and Airiness

Designed by Demarco Aluminum & Glass Systems, our Glass Ceiling Systems are meticulously crafted to add a unique aesthetic to spaces. With a modern and stylish design, these systems not only impress but also provide natural light and a sense of spaciousness. Our products, which offer long-lasting use with their durable aluminum structure, bring an elegant touch to any space. Available in different sizes and specifications, our glass ceilings transform your space into a wide and bright atmosphere while providing solutions that meet the requirements of modern architecture. Demarco Glass Ceiling Systems, which have thermal insulation and sound insulation properties, not only save energy but also increase indoor comfort. Produced in compliance with safety standards, our systems always prioritize user safety. Demarco Glass Ceiling Systems enhance your spaces with their aesthetic design and provide confidence with their durability.



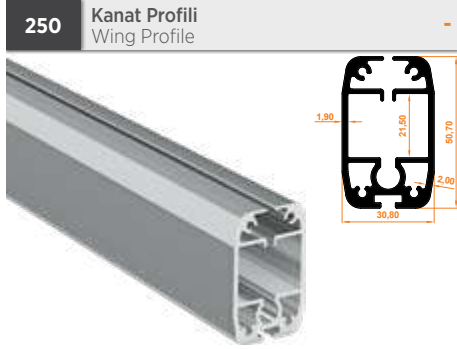
Dikey Zip Perde

Vertical Zip Blind

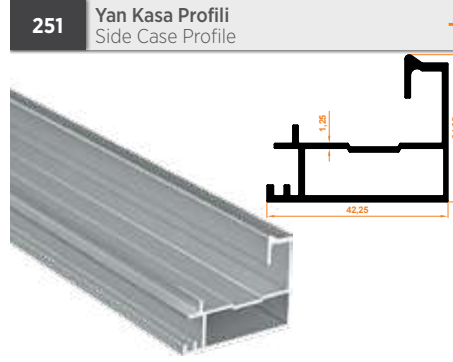
Zip Perde Sistemleri
Kumandalı Sistem
Güneş Işığın Kontrolü
Rüzgar Dayanıklılığı
Sineklik İşlevi

Zip Blinds Systems
Remote Controlled System
Sunlight Control
Wind Resistance
Fly Screen Function





Gramajı
Weight 1,291 kg/m



Gramajı
Weight 0,572 kg/m



Gramajı
Weight 0,313 kg/m



Gramajı
Weight 1,776 kg/m



Gramajı
Weight 1,475 kg/m



Gramajı
Weight 2,110 kg/m



Alüminyum Renk Seçeneği

Aluminum Color Options

9016

Beyaz
White

E6

Mat Eloksal
Matt Anodized

M0

Mat Bronz
Matt Bronze

P0

Parlak Bronz
Gloss Bronze

8003

Altın Meşe
Golden Oak

8016

Maun
Mahogany

7016

Antrasit Gri
Anthracite Gray

E6

Eloksal Boyalı
Anodized Painted

M0

Bronz Boyalı
Bronze Painted

ZP 01 Üst Kasa Kapak - Sağ/Sol **Siyah/ Black**
Upper Case Cover - Right/Left



ZP 02 Çelik Pimli Motor Bağlantı Parçası **Gri/ Grey**
Steel Pinned Motor Connection Part



ZP 03 Rulmanlı Tambur Bağlantı **Siyah/ Black**
Bearing Drum Connection



ZP 04 Motorlu Tambur Bağlantı **Siyah/ Black**
Motorized Drum Connection



ZP 05 Rotor Aktarma Parçası **Siyah/ Black**
Rotor Transmission Part



ZP 06 Yan Kasa Kapakları - Sağ/Sol **Siyah/ Black**
Side Case Covers - Right/Left



ZP 07 Kanat Kapak **Siyah/ Black**
Wing Cover



ZP 09 Fermuar Aparatı **Siyah/ Black**
Zipper Apparatus



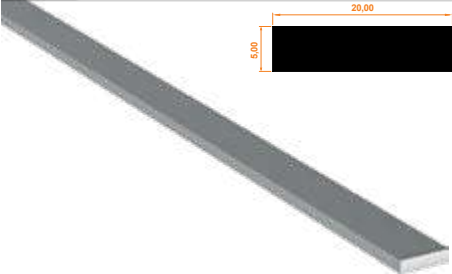
ZP 10 Kanat Contası **Siyah/ Black**
Wing Seal



ZP 11 Perde Plastiği **Siyah/ Black**
Curtain Plastic



ZP 15 5x20 Lama Demir **-**
5x20 Blade Iron



Gramajı
Weight 0,800 kg/m

ZP 14 Motor (20 Nm)
Engine (20Nm) **Somfy**

somfy.



Koli İçi Adet
Amount within parcel

1

KMD 1 Kumanda (Tekli)
Engine Remote Control (Mono) **Somfy**

somfy.



Koli İçi Adet
Amount within parcel

1

KMD 2 Kumanda (Çoklu)
Engine Remote Control (Multi) **Somfy**

somfy.



Koli İçi Adet
Amount within parcel

1

ZP 16 Motor (20 Nm)
Engine (20 Nm) **A-OK**

A-OK



Koli İçi Adet
Amount within parcel

1

KMD 3 Kumanda (Tekli)
Engine Remote Control (Mono) **A-OK**

A-OK



Koli İçi Adet
Amount within parcel

1

KMD 4 Kumanda (Çoklu)
Engine Remote Control (Multi) **A-OK**

A-OK



Koli İçi Adet
Amount within parcel

1



Güneş Işığı Kontrolü:

Zip perdeler, güneş ışığını isteğe bağlı olarak engelleyebilir veya iç mekana geçirilebilir. Bu, iç mekanın aydınlatmasını ve sıcaklığını ayarlamak için kullanışlıdır.

Sunlight Control:

Zip blinds can either block or allow sunlight to enter the interior as desired, making it convenient for adjusting indoor lighting and temperature.



Rüzgar Dayanıklılığı:

Bu perdeler, dayanıklı ve rüzgarlı hava koşullarına karşı dirençli olarak tasarlanırlar. Rüzgarla temas ettiğinde dengeli ve sabit kalırlar.

Wind Resistance:

These blinds are designed to withstand strong and windy weather conditions, remaining stable even when in contact with the wind.



Sineklik İşlevi:

Zip perdeler, açık havada oturma alanları veya teraslar için idealdir. Aynı zamanda sineklik işlevi görebilir ve böceklerin içeri girmesini engelleyebilir.

Insect Protection:

Zip blinds are ideal for outdoor seating areas or terraces, as they can also function as insect screens, preventing bugs from entering.



Uzun Ömür:

Kaliteli malzemelerle yapıldığında, zip perdeler uzun yıllar boyunca dayanıklılık ve performans sunabilirler.

Longevity:

When made from high-quality materials, zip blinds can offer durability and long-lasting performance.





demarco
Aluminum-Glass Systems

GELECEĞİ ŞEKİLLENDİREN: PROCESS
İNOVASYONUN VE TASARIMIN BULUŞTUĞU DÜNYA

TASARIM VE İNOVASYONUN BULUŞMA NOKTASI

TASARIM VE İNOVASYONUN SINIRLARINI AŞAN BİR YOLCULUĞA ÇIKIN.
PROCESS ALÜMİNYUM & PVC SİSTEMLERİ, ÇÖZÜMLERİN ÖNCÜSÜDÜR.
SINIRLARI YENİDEN TANIMLAR VE İLHAM VEREN ÜRÜNLER SUNAR. BİZİMLE,
HAYAL GÜCÜNÜN TITIZLIKLE BİR ARAYA GELDİĞİ BU YOLCULUĞA KATILIN
VE BİRLİKTE DAHA PARLAK BİR GELECEK OLUŞTURALIM.

CRAFTING THE FUTURE: PROCESS'S INNOVATIVE WORLD

WHERE DESIGN AND INNOVATION CONVERGE

EMBARK ON A JOURNEY THAT TRANSCENDS THE BOUNDARIES OF DESIGN
AND INNOVATION. PROCESS ALUMINIUM & PVC SYSTEMS LEADS THE WAY
IN SOLUTIONS, REDEFINING LIMITS, AND OFFERING INSPIRATIONAL
PRODUCTS. JOIN US ON THIS JOURNEY WHERE IMAGINATION MEETS
PRECISION, AND TOGETHER, LET'S BUILD A BRIGHTER FUTURE.



MINİMALİST
& Cesur

Minimalist
& Confident

Process Alüminyum Plastik San. Tic. Ltd. Şti.

MERKEZ

Aşağıpınarbaşı OSB Mah. 524 Nolu Sk. No: 3/1
42250, Selçuklu-Konya/TÜRKİYE

T : +90 332 248 00 92

F : +90 332 248 00 93

M : info@process.com.tr

MARMARA BÖLGE MÜDÜRLÜĞÜ

Cihangir Mh. Talatpaşa Cad. No:67
Avcılar/İSTANBUL - TÜRKİYE

T : +90 212 407 17 42

F : +90 212 407 15 42

M : marmara@process.com.tr

|| www.process.com.tr

|| www.demarco.com.tr

|| www.processplise.com.tr

|| www.panjurmen.com.tr

|| www.prosin.com.tr



www.process.com.tr



grafiken