



# demarco

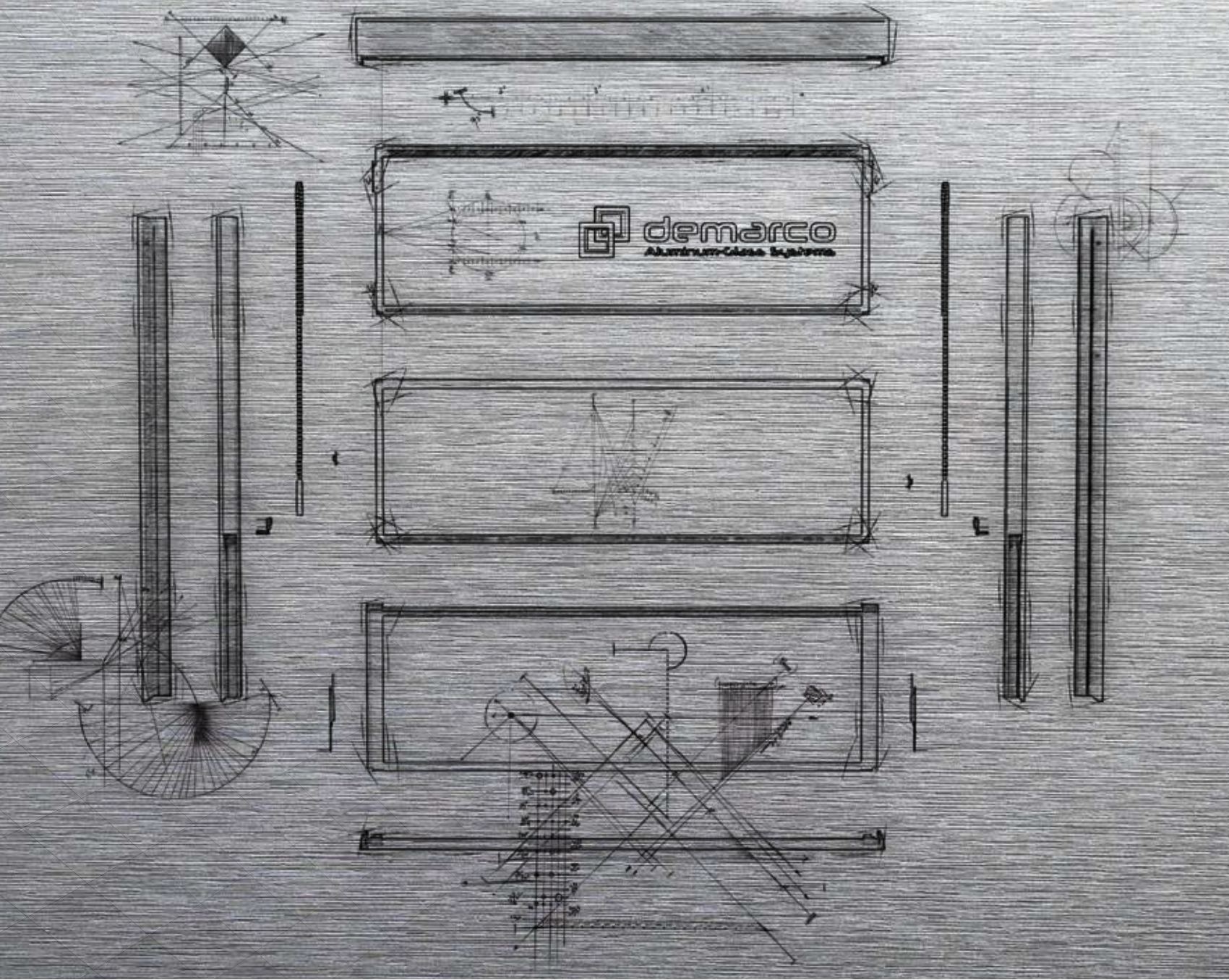
## Aluminum-Glass Systems

Alüminyum & Cam  
Sistemleri

Ferah Mimari Yapılar  
Ek Yaşam Alanları  
Kaliteli ve Dayanıklı Ürünler  
Modern ve Uzun Ömürlü Çözümler

Aluminum & Glass  
Systems

Spacious Architectural Structures  
Additional Living Spaces  
Quality and Durable Products  
Modern and Long-Lasting Solutions



## Dış Mekan Alüminyum Mimari Sistemleri

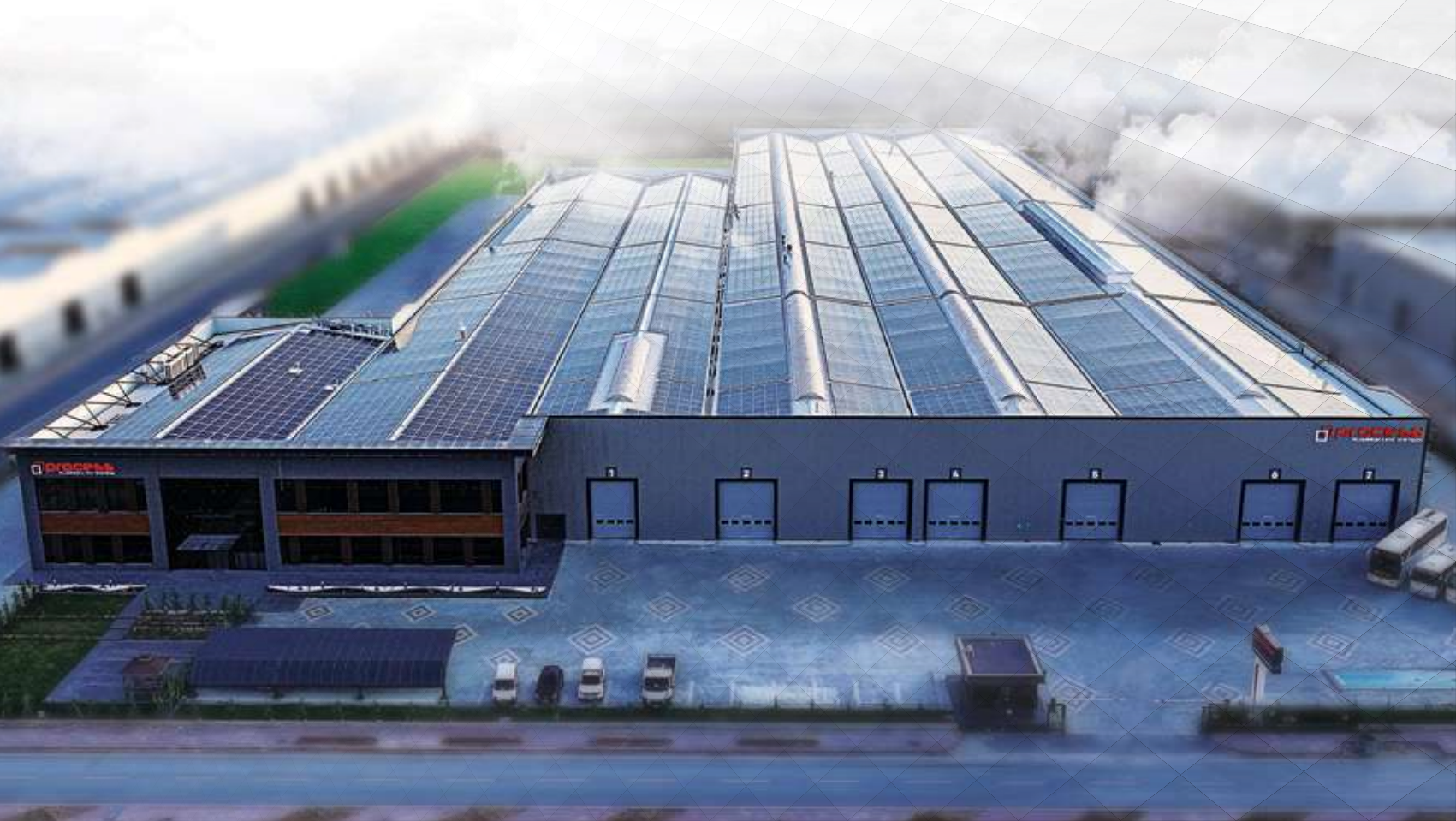
### Outdoor Aluminum Architectural Systems



**demarco**  
Aluminum-Glass Systems

*askla yapilan sanattir*

*art is made with love*





# demarco

## Aluminum-Glass Systems

### 8 mm Katlanır Sistem

8 mm Folding System

04

Cam Sistemleri  
Katlanır Sistem  
Görsel Konfor  
Ekonomik Mimari  
Kolay Kullanım

Glass Systems  
Folding System  
Visual Comfort  
Economic Architecture  
Easy Use

### Isıcam Katlanır Sistem

Double Glazing Folding System

10

Cam Sistemleri  
Katlanır Sistem  
Uzun Ömürlü  
Isı ve Ses Yalıtımı  
Ekstra Güvenlik

Glass Systems  
Folding System  
Long-lasting  
Thermal and Sound Insulation  
Extra Security

### Sürme Sistem

Sliding System

14

Cam Sistemleri  
Tek/Çift Cam Sürme  
Ergonomik  
Ferah Mimari Yapı  
Modern ve Estetik

Glass Systems  
Single/Double Glass Sliding  
Ergonomic  
Spacious Architectural Design  
Modern and Aesthetic

### Giyotin Sistem

Guillotine System

18

Cam Sistemleri  
Kumandalı Sistem  
İnovatif  
Esnek Kullanım  
Kolay Temizlik

Glass Systems  
Remote Controlled System  
Innovative  
Esnek Kullanım  
Easy Cleaning

### Cam Tavan Sistemleri

Glass Ceiling Systems

24

Cam Sistemleri  
Kış Bahçesi  
Ferah Mimari Yapı  
Modern ve Estetik  
Ek Yaşam Alanı

Glass Systems  
Winter Garden  
Spacious Architectural Design  
Modern and Aesthetic  
Additional Living Space

### Dikey Zip Perde

Vertical Zip Blind

28

Zip Perde Sistemleri  
Kumandalı Sistem  
Güneş Işığı Kontrolü  
Rüzgar Dayanıklılığı  
Sineklik İşlevi

Zip Blinds Systems  
Remote Controlled System  
Sunlight Control  
Wind Resistance  
Fly Screen Function

# 8 mm Katlanır Sistem

## 8 mm Folding System

Cam Sistemleri

Glass Systems

**Katlanır Sistem**

**Folding System**

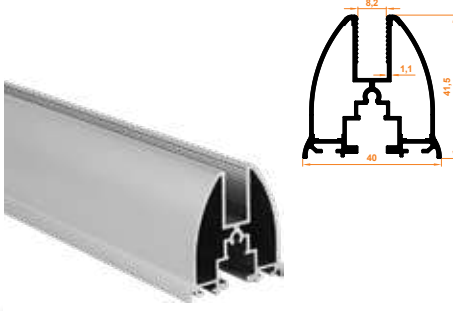
Görsel Konfor  
Ekonomik Mimari  
Kolay Kullanım

Visual Comfort  
Economic Architecture  
Easy Use



**104** Gold Baza Profil  
Gold Base Profile

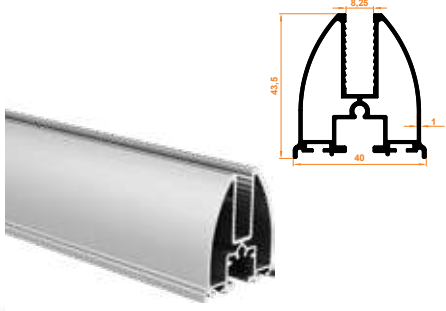
gold



Paket İçi Adet Amount within package	3	Gramajı Weight	0,717 kg/m
---	---	-------------------	------------

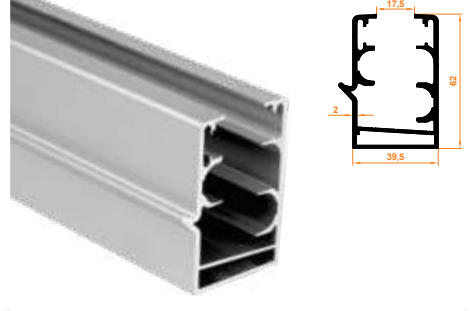
**105** Fırtına Baza Profil  
Firtına Base Profile

fırtına



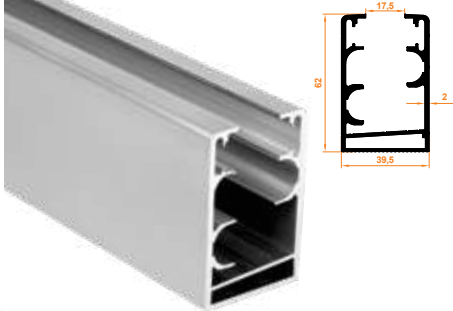
Paket İçi Adet Amount within package	3	Gramajı Weight	0,730 kg/m
---	---	-------------------	------------

**110** Oluklu Kasa Profil  
Corrugated Case Profile



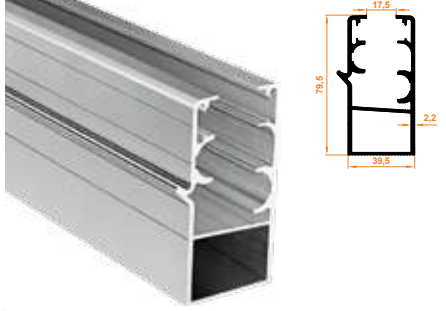
Paket İçi Adet Amount within package	3	Gramajı Weight	1,396 kg/m
---	---	-------------------	------------

**109** Düz Kasa Profil  
Flat Case Profile



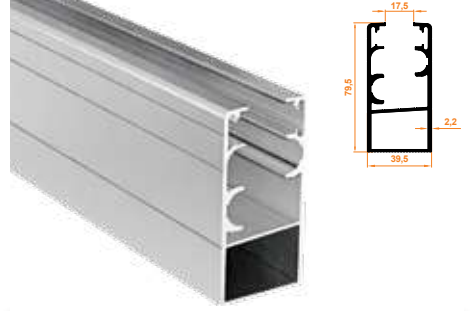
Paket İçi Adet Amount within package	3	Gramajı Weight	1,355 kg/m
---	---	-------------------	------------

**106** Oluklu Büyük Kasa Profil  
Corrugated Big Case Profile



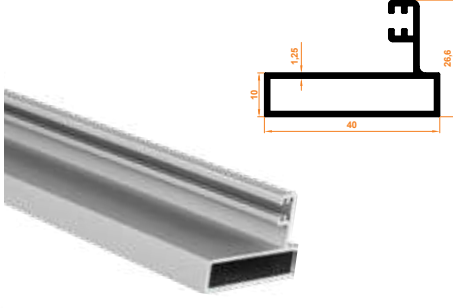
Paket İçi Adet Amount within package	3	Gramajı Weight	1,611 kg/m
---	---	-------------------	------------

**107** Büyük Düz Kasa Profil  
Big Flat Case Profile



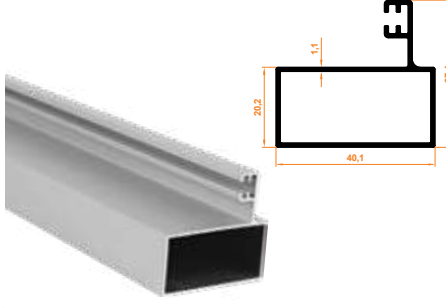
Paket İçi Adet Amount within package	3	Gramajı Weight	1,570 kg/m
---	---	-------------------	------------

**100** Dar Yan Dikme Profil  
Thin Side Column Profile



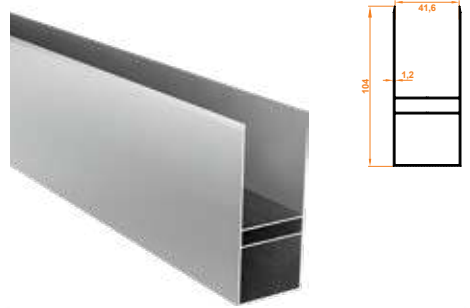
Paket İçi Adet Amount within package	6	Gramajı Weight	0,441 kg/m
---	---	-------------------	------------

**108** Geniş Yan Dikme Profil  
Thick Side Column Profile



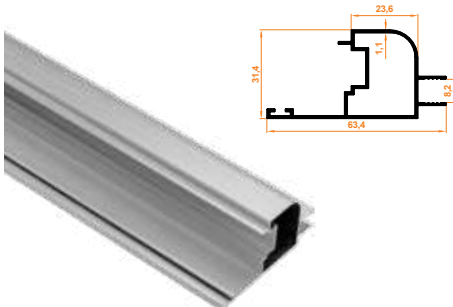
Paket İçi Adet Amount within package	6	Gramajı Weight	0,457 kg/m
---	---	-------------------	------------

**111** Stor Profil  
Stor Profile



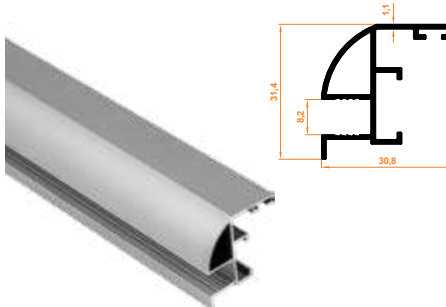
Paket İçi Adet Amount within package	2	Gramajı Weight	1,062 kg/m
---	---	-------------------	------------

**135** 8 mm İspanyolet Profil  
8 mm Espagnolette Profile



Paket İçi Adet Amount within package	6	Gramajı Weight	0,517 kg/m
---	---	-------------------	------------

**136** 8 mm İspanyolet Profil Karşılığı  
8 mm Espagnolette Combination Profile

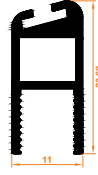


Paket İçi Adet Amount within package	6	Gramajı Weight	0,343 kg/m
---	---	-------------------	------------

# 8mm CAM BALKON FİTİL PROFİLLERİ

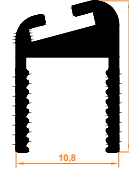
## 8mm Balcony Wick Profiles

**1** Büyük D Fıtıl  
Big D Wick



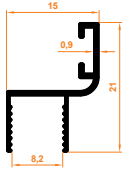
Paket İçi Adet Amount within package	10	Gramajı Weight	0,247 kg/m
---	----	-------------------	------------

**2** Küçük D Fıtıl  
Small D Wick



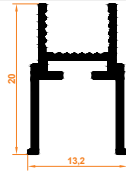
Paket İçi Adet Amount within package	10	Gramajı Weight	0,167 kg/m
---	----	-------------------	------------

**3** Küçük h Fıtıl  
Small h Wick



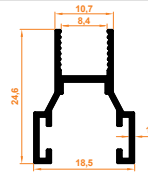
Paket İçi Adet Amount within package	20	Gramajı Weight	0,116 kg/m
---	----	-------------------	------------

**4** Orta H Fıtıl  
Medium H Wick



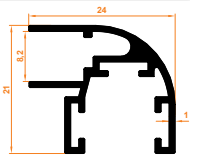
Paket İçi Adet Amount within package	20	Gramajı Weight	0,150 kg/m
---	----	-------------------	------------

**5** Büyük H Fıtıl  
Big H Wick



Paket İçi Adet Amount within package	20	Gramajı Weight	0,214 kg/m
---	----	-------------------	------------

**6** Köşe Dönüş Fıtıl  
Corner Return Wick



Paket İçi Adet Amount within package	10	Gramajı Weight	0,276 kg/m
---	----	-------------------	------------



### Alüminyum Renk Seçeneği

Aluminum Color Options

9016

Beyaz  
White

E6

Mat Eloksal  
Matt Anodized

M0

Mat Bronz  
Matt Bronze

P0

Parlak Bronz  
Gloss Bronze

8003

Altın Meşe  
Golden Oak

8016

Maun  
Mahogany

7016

Antrasit Gri  
Anthracite Gray

Eloksal Boyalı

Anodized Painted

Bronz Boyalı

Bronze Painted

**PRC 01** Düz Baza Kapak Sağ-Sol gold distant geçmeli sistem  
Base Intermediate Cover Flat Right-Left



Paket İçi Adet 150 Koli İçi Adet 1.500  
Amount within package Amount within parcel

**PRC 02** Gold Radius Kapak gold distant geçmeli sistem  
Gold Radius Cover Flat



Paket İçi Adet 100 Koli İçi Adet 600  
Amount within package Amount within parcel

**PRC 05** 90° Alt Kapak Sağ-Sol gold distant geçmeli sistem  
90° Bottom Cover Right-Left



Paket İçi Adet 100 Koli İçi Adet 400  
Amount within package Amount within parcel

**PRC 06** 90° Üst Kapak Sağ-Sol gold distant geçmeli sistem  
90° Top Cover Right-Left



Paket İçi Adet 100 Koli İçi Adet 400  
Amount within package Amount within parcel

**PRC 09** Baza Bitiş Kapak Sağ-Sol gold distant geçmeli sistem  
Base Side Column Cover Right-Left



Paket İçi Adet 100 Koli İçi Adet 800  
Amount within package Amount within parcel

**PRC 11** 22,5° Alt Kapak Sağ-Sol gold distant geçmeli sistem  
22,5° Bottom Cover Right-Left



Paket İçi Adet 100 Koli İçi Adet 800  
Amount within package Amount within parcel

**PRC 12** Gold Baza Profil gold distant geçmeli sistem  
Gold Base Profile



Paket İçi Adet 100 Koli İçi Adet 800  
Amount within package Amount within parcel

**PRC 01pim** Gold Baza Profil gold pimli sistem  
Gold Base Profile



Paket İçi Adet 150 Koli İçi Adet 1.500  
Amount within package Amount within parcel

**PRC 05pim** Gold Baza Profil gold pimli sistem  
Gold Base Profile



Paket İçi Adet 100 Koli İçi Adet 400  
Amount within package Amount within parcel

**PRC 06pim** 90° Üst Kapak Pimli Sağ-Sol gold pimli sistem  
90° Top Cover with Pin Right-Left



Paket İçi Adet 100 Koli İçi Adet 400  
Amount within package Amount within parcel

**PRC 09pim** Baza Bitiş Kapak Pimli Sağ-Sol gold pimli sistem  
Base Side Column Cover with Pin Right-Left



Paket İçi Adet 100 Koli İçi Adet 800  
Amount within package Amount within parcel

**PRC 11pim** 22,5° Alt Kapak Pimli Sağ-Sol gold pimli sistem  
22,5° Bottom Cover with Pin Right-Left



Paket İçi Adet 100 Koli İçi Adet 800  
Amount within package Amount within parcel

**PRC 12pim** 22,5° Üst Kapak Pimli Sağ-Sol gold pimli sistem  
22,5° Top Cover with Pin Right-Left



Paket İçi Adet 100 Koli İçi Adet 800  
Amount within package Amount within parcel

**PRC 44** Fırtına Düz Baza Kapak Sağ-Sol fırtına sistem  
Fırtına Base Intermediate Cover Flat Right-Left



Paket İçi Adet 150 Koli İçi Adet 1.500  
Amount within package Amount within parcel

**PRC 46** Fırtına 90° Alt Kapak Sağ-Sol fırtına sistem  
Fırtına 90° Bottom Cover Right-Left



Paket İçi Adet 100 Koli İçi Adet 400  
Amount within package Amount within parcel

## 8mm CAM BALKON AKSESUARLARI

### 8mm Balcony Glass Accessories

**PRC 47** Firtına 90° Üst Kapak Sağ-Sol firtına sistem  
Firtına 90° Top Cover Right-Left



Paket İçi Adet | 100 | Koli İçi Adet | 400  
Amount within package | | Amount within parcel |

**PRC 48** Firtına Baza Bitiş Kapak Sağ-Sol firtına sistem  
Firtına Base Side Column Cover Right-Left



Paket İçi Adet | 100 | Koli İçi Adet | 800  
Amount within package | | Amount within parcel |

**PRC 50** Firtına 22,5° Alt Kapak Sağ-Sol firtına sistem  
Firtına 22,5° Bottom Cover Right-Left



Paket İçi Adet | 100 | Koli İçi Adet | 800  
Amount within package | | Amount within parcel |

**PRC 51** Firtına 22,5° Üst Kapak Sağ-Sol firtına sistem  
Firtına 22,5° Top Cover Right-Left



Paket İçi Adet | 100 | Koli İçi Adet | 800  
Amount within package | | Amount within parcel |

**PRC 14** Kilitli Metal Teker  
Locking Wheel with Stainless Pin (Metal)



Paket İçi Adet | 250 | Koli İçi Adet | 250  
Amount within package | | Amount within parcel |

**PRC 13** Düz Metal Teker  
Plain Wheel with Stainless Pin (Metal)



Paket İçi Adet | 250 | Koli İçi Adet | 250  
Amount within package | | Amount within parcel |

**PRC 82** 8 mm İspanyolet Karşılık Aksesuar  
8 mm Espagnolette Return Accessory



Paket İçi Adet | 250 | Koli İçi Adet | 1.000  
Amount within package | | Amount within parcel |

**PRC 32** Plastik Zincir  
Plastic Bead Rope



Paket İçi Adet | 200 m | Koli İçi Adet | 2.400 m  
Amount within package | | Amount within parcel |

**PRC 33** Plastik Zincir Tutamağı  
Plastic Bead Rope Handle



Paket İçi Adet | 700 | Koli İçi Adet | 700  
Amount within package | | Amount within parcel |

**PRC 17** Yönlendirici Boynuz  
Router



Paket İçi Adet | 50 | Koli İçi Adet | 300  
Amount within package | | Amount within parcel |

**PRC 18** Kilit  
Lock



Paket İçi Adet | 100 | Koli İçi Adet | 700  
Amount within package | | Amount within parcel |

**PRC 26** Borulu Stoplama  
Stopper



Paket İçi Adet | 150 | Koli İçi Adet | 150  
Amount within package | | Amount within parcel |

**PRC 22** Polyemit Lama 4'lü  
Guide and Brake for System (4)



Paket İçi Adet | 200 | Koli İçi Adet | 200  
Amount within package | | Amount within parcel |

**PRC 23** Polyemit Lama 7'li  
Guide and Brake for System (7)



Paket İçi Adet | 200 | Koli İçi Adet | 200  
Amount within package | | Amount within parcel |

**PRC 24** Polyemit Lama 10'lu  
Guide and Brake for System (10)



Paket İçi Adet | 100 | Koli İçi Adet | 100  
Amount within package | | Amount within parcel |



**PRC 20** Teker Çıkış Plastığı U  
Outlet Plastics U



Paket İçi Adet | 100 | Koli İçi Adet | 800  
Amount within package | | Amount within parcel |

**PRC 79** U Çıkış Plastik Kapağı  
Outlet Plastic Cover U



Paket İçi Adet | 500 | Koli İçi Adet | 500  
Amount within package | | Amount within parcel |

**PRC 21** Polyemit Lama Tekli  
Guide and Brake for System



Paket İçi Adet | 300 | Koli İçi Adet | 300  
Amount within package | | Amount within parcel |

**PRC 25** İnce Yan Dikme Aparatı  
Thin Side Column Equipment Sys.



Paket İçi Adet | 150 | Koli İçi Adet | 1.500  
Amount within package | | Amount within parcel |

**PRC 52** Kalın Yan Dikme Aparatı  
Thick Side Column Equipment Sys.



Paket İçi Adet | 100 | Koli İçi Adet | 600  
Amount within package | | Amount within parcel |

**PRC 77** Geniş Yan Dikme Aparatı  
Wide Side Column Equipment Sys.



Paket İçi Adet | 100 | Koli İçi Adet | 600  
Amount within package | | Amount within parcel |

**PRC 27** Alüminyum Köşe Dönüş Takımı  
Hinged T-square



Paket İçi Adet | 200 | Koli İçi Adet | 200  
Amount within package | | Amount within parcel |

**PRC 28** Mentеше Takımı Pim Ayarlı Üst  
Hinge Up - Adjustable



Paket İçi Adet | 200 | Koli İçi Adet | 200  
Amount within package | | Amount within parcel |

**PRC 29** Mentеше Takımı Pim Ayarlı Alt  
Hinge Bottom - Adjustable



Paket İçi Adet | 200 | Koli İçi Adet | 200  
Amount within package | | Amount within parcel |

**PRC 30** Mentеше Takımı Üst  
Hinge Up



Paket İçi Adet | 200 | Koli İçi Adet | 400  
Amount within package | | Amount within parcel |

**PRC 31** Mentеше Takımı Alt  
Hinge Bottom



Paket İçi Adet | 200 | Koli İçi Adet | 400  
Amount within package | | Amount within parcel |

**ZZ 126** İspanyolet Kol  
Espagnolette Handle



Paket İçi Adet | 1 | Koli İçi Adet | 40  
Amount within package | | Amount within parcel |

**ZZ 127** İspanyolet Slim Kol  
Espagnolette Slim Handle



Paket İçi Adet | 1 | Koli İçi Adet | 200  
Amount within package | | Amount within parcel |

# Isıcam Katlanır Sistem

## Double Glazing Folding System

Cam Sistemleri

**Katlanır Sistem**

Uzun Ömürlü  
Isı ve Ses Yalıtımı  
Ekstra Güvenlik

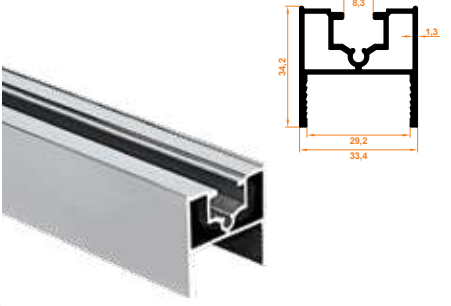
Glass Systems

**Folding System**

Long-lasting  
Thermal and Sound Insulation  
Extra Security

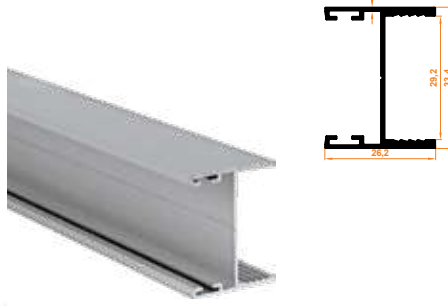


**800** Baza Profil  
Double Glass Base



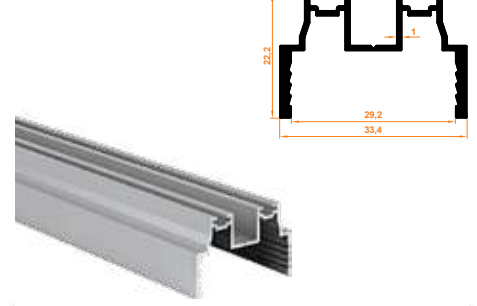
Paket İçi Adet Amount within package	6	Gramajı Weight	0,618 kg/m
---	---	-------------------	------------

**801** Düz Kapak Profil  
Double Glass Flat Cover Profile



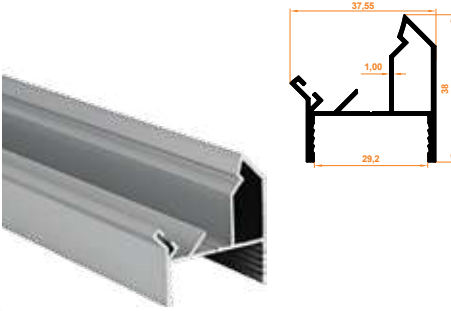
Paket İçi Adet Amount within package	6	Gramajı Weight	0,321 kg/m
---	---	-------------------	------------

**802** Düz Kapak Mentеше Profil  
Double Glass Flat Cover with Hinge Profile



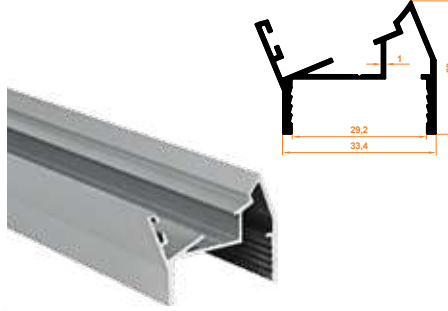
Paket İçi Adet Amount within package	6	Gramajı Weight	0,327 kg/m
---	---	-------------------	------------

**803** 45° Dönüş Profil  
45° Return Profile



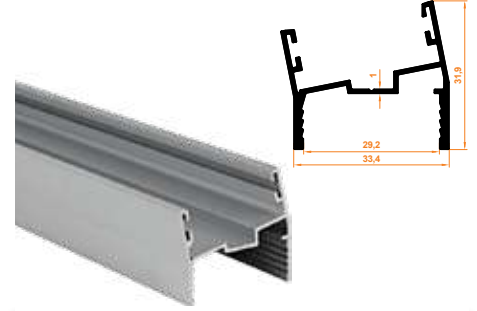
Paket İçi Adet Amount within package	6	Gramajı Weight	0,445 kg/m
---	---	-------------------	------------

**804** 22,5° Dönüş Profil  
22,5° Return Profile



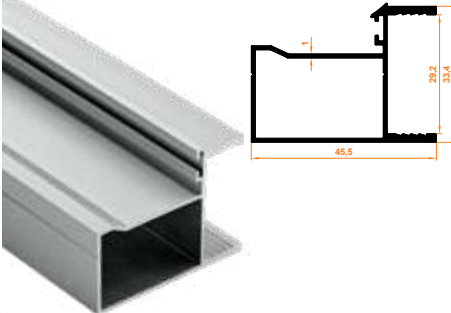
Paket İçi Adet Amount within package	6	Gramajı Weight	0,378 kg/m
---	---	-------------------	------------

**805** 11° Dönüş Profil  
11° Return Profile



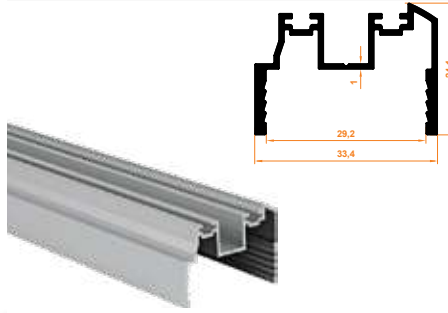
Paket İçi Adet Amount within package	6	Gramajı Weight	0,366 kg/m
---	---	-------------------	------------

**806** 90° Dönüş Profil  
90° Return Profile



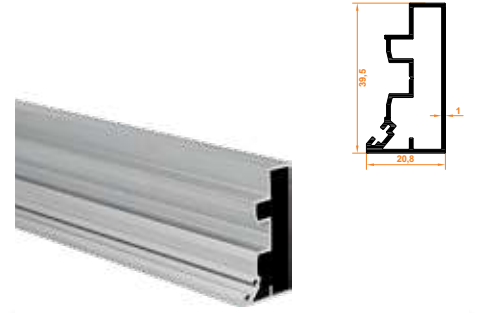
Paket İçi Adet Amount within package	6	Gramajı Weight	0,475 kg/m
---	---	-------------------	------------

**807** Açılı Dönüş Mentеше Profil  
PopUp Return Hinge Profile



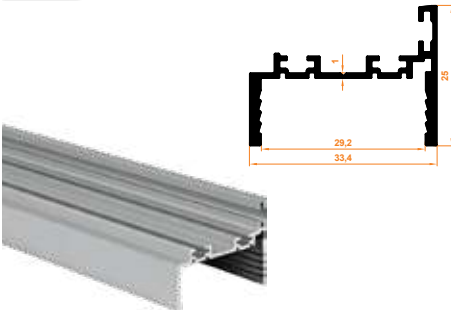
Paket İçi Adet Amount within package	6	Gramajı Weight	0,346 kg/m
---	---	-------------------	------------

**808** Isıcam Yan Dikme Profil  
Double Glass Side Column Profile



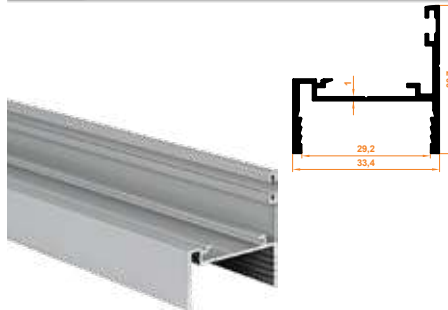
Paket İçi Adet Amount within package	6	Gramajı Weight	0,369 kg/m
---	---	-------------------	------------

**809** Sabit Cam Mentеше Profil  
Stable Glass Hinge Profile



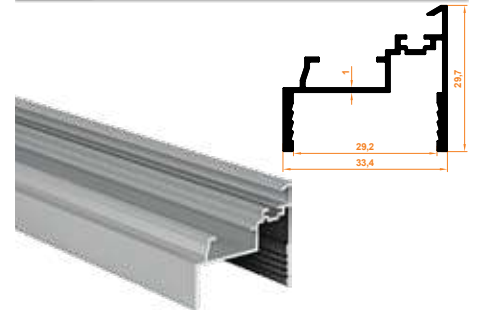
Paket İçi Adet Amount within package	6	Gramajı Weight	0,328 kg/m
---	---	-------------------	------------

**810** Sabit Cam (Tijli) Kilit Profil  
Stable Glass Lock Profile



Paket İçi Adet Amount within package	6	Gramajı Weight	0,355 kg/m
---	---	-------------------	------------

**811** Sabit Cam (Tijli) Kilit Karşılık Profil  
Stable Glass Lock Combination Profile

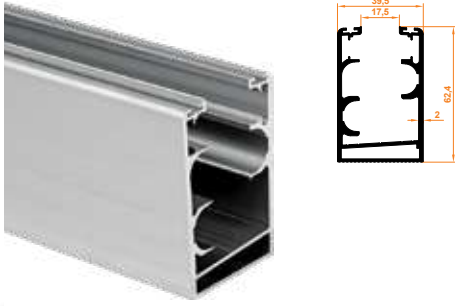


Paket İçi Adet Amount within package	6	Gramajı Weight	0,342 kg/m
---	---	-------------------	------------

# ISICAM CAM BALKON PROFİLLERİ

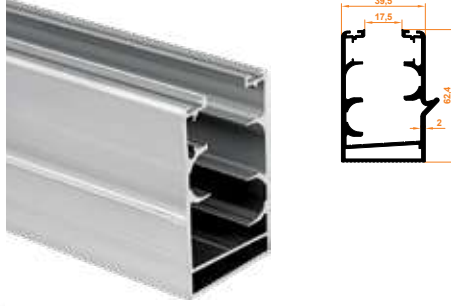
## Double Glazing Balcony Glass Profiles

**819** Düz Kasa Üstten Fitilli Profil  
Flat Case Top Wicked Profile



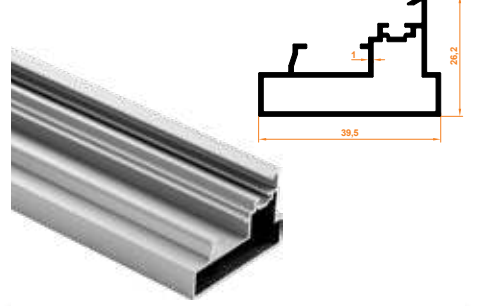
Paket İçi Adet Amount within package	3	Gramajı Weight	1,344 kg/m
---	---	-------------------	------------

**820** Oluklu Kasa Üstten Fitilli Profil  
Corrugated Case Top Wicked Profile



Paket İçi Adet Amount within package	3	Gramajı Weight	1,389 kg/m
---	---	-------------------	------------

**822** Açılır Dikme Profil  
PopUp Column Profile



Paket İçi Adet Amount within package	6	Gramajı Weight	0,378 kg/m
---	---	-------------------	------------

**816** Üstten Fitilli Büyük Oluklu Kasa  
Large Corrugated Case with Top Wick



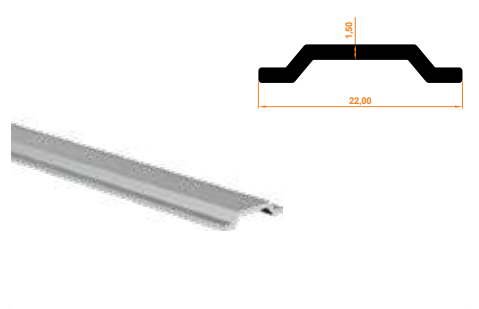
Paket İçi Adet Amount within package	3	Gramajı Weight	1,577 kg/m
---	---	-------------------	------------

**817** Üstten Fitilli Büyük Düz Kasa  
Large Flat Case with Wed from Top



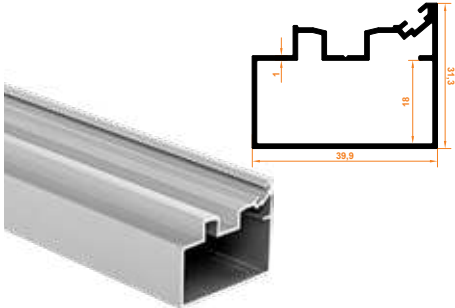
Paket İçi Adet Amount within package	3	Gramajı Weight	1,532 kg/m
---	---	-------------------	------------

**815** Tij Profil  
Espagnolette Profile



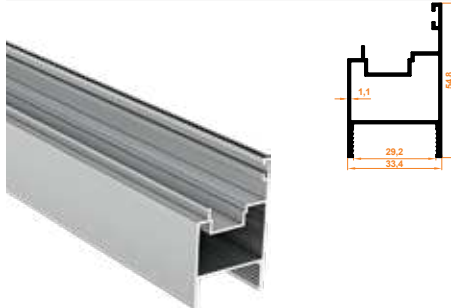
Paket İçi Adet Amount within package	10	Gramajı Weight	0,100 kg/m
---	----	-------------------	------------

**823** Isıcam Geniş Yan Dikme  
Double Glass Wide Side Column



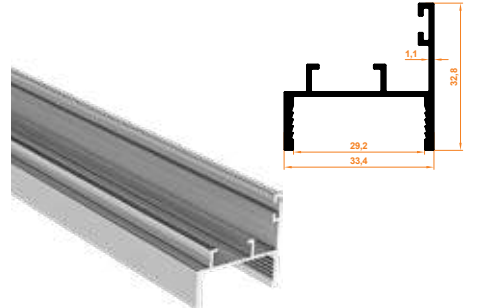
Paket İçi Adet Amount within package	6	Gramajı Weight	0,459 kg/m
---	---	-------------------	------------

**824** Sabit Cam İspanyolet Profil  
Fixed Glass Espagnolette Profile



Paket İçi Adet Amount within package	6	Gramajı Weight	0,583 kg/m
---	---	-------------------	------------

**825** Sabit Cam İspanyolet Karşılık Profil  
Fixed Glass Espagnolette Handle Provision Profile



Paket İçi Adet Amount within package	6	Gramajı Weight	0,356 kg/m
---	---	-------------------	------------



### Alüminyum Renk Seçeneği

Aluminum Color Options

**9016**

Beyaz  
White

**E6**

Mat Elokسال  
Matt Anodized

**M0**

Mat Bronz  
Matt Bronze

**P0**

Parlak Bronz  
Gloss Bronze

**8003**

Altın Meşe  
Golden Oak

**8016**

Maun  
Mahogany

**7016**

Antrasit Gri  
Anthracite Gray

**E6**

Elokسال Boyalı  
Anodized Painted

**E6**

Bronz Boyalı  
Bronze Painted

**ZZ 126** İspanyolet Kol  
Espagnolette Handle



Paket İçi Adet Amount within package	1	Koli İçi Adet Amount within parcel	40
---	---	---------------------------------------	----

**ZZ 127** İspanyolet Slim Kol  
Espagnolette Slim Handle



Paket İçi Adet Amount within package	1	Koli İçi Adet Amount within parcel	200
---	---	---------------------------------------	-----

**PRC 68** Eksenel Kol  
Double Glass Axial Handle



Paket İçi Adet Amount within package	1	Koli İçi Adet Amount within parcel	10
---	---	---------------------------------------	----

**PRC 76** Kilit Karşılık (Metal)  
Double Glass Lock provision (Metal)



Paket İçi Adet Amount within package	100	Koli İçi Adet Amount within parcel	400
---	-----	---------------------------------------	-----

**PRC 63** Bağlantı Adaptörü  
Double Glass Connection Adapter



Paket İçi Adet Amount within package	100	Koli İçi Adet Amount within parcel	400
---	-----	---------------------------------------	-----

**PRC 65** Destek Takozu  
Double Glass Bracket Wedge



Paket İçi Adet Amount within package	400	Koli İçi Adet Amount within parcel	400
---	-----	---------------------------------------	-----

**PRC 75** Sistem Tij Pimi  
System Rod Pin



Paket İçi Adet Amount within package	100	Koli İçi Adet Amount within parcel	200
---	-----	---------------------------------------	-----

**PRC 73** Isı Cam EPDM Kauçuk Fitol Çift Conta  
Double Glass EPDM Rubber Wick Double Gasket



Paket İçi Adet Amount within package	1 Top (10 kg)	Koli İçi Adet Amount within parcel	125 m
---	------------------	---------------------------------------	-------

**PRC 74** Isı Cam EPDM Kauçuk Fitol Tek Conta  
Double Glass EPDM Rubber Wick Single Gasket



Paket İçi Adet Amount within package	1 Top (10 kg)	Koli İçi Adet Amount within parcel	290 m
---	------------------	---------------------------------------	-------

## Yalıtım ve Sızdırmazlık

Demarco Isıcam Katlanır Sistemler her mevsim balkon keyfi için üretildi, güvenli ispanyolet kol ve iç içe geçen kanat sistemi ile gerçek yalıtım sizlerle!

## Insulating and Sealing

Demarco Double Glazing Folding Systems are designed for year-round balcony enjoyment, with real insulation thanks to the secure espagnolette handle and overlapping sash system!



# Sürme Sistem

## Sliding System

Cam Sistemleri

Tek/Çift Cam Sürme

Ergonomik

Ferah Mimari Yapı

Modern ve Estetik

Glass Systems

Single/Double Glass Sliding

Ergonomic

Spacious Architectural Design

Modern and Aesthetic

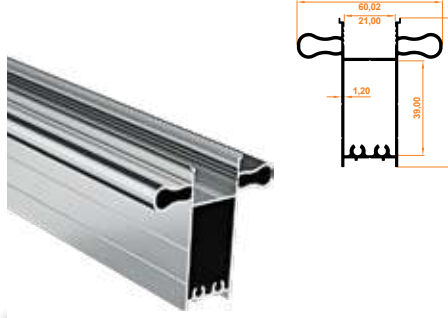


**210** Sürme Baza Profil  
Sliding Base Profile



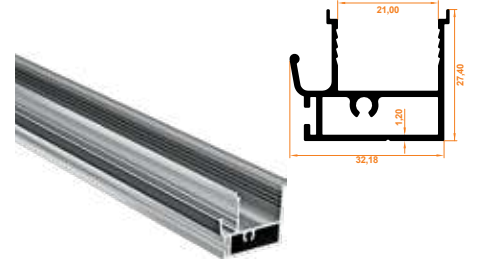
Paket İçi Adet Amount within package	4	Gramajı Weight	0,643 kg/m
---	---	-------------------	------------

**215** Çekme Kol Profil  
Pull Handle Profile



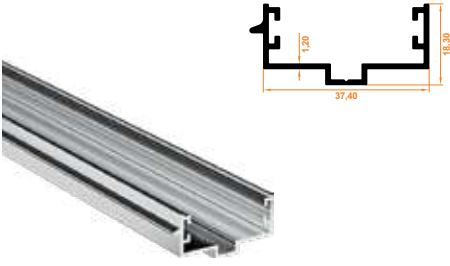
Paket İçi Adet Amount within package	3	Gramajı Weight	0,908 kg/m
---	---	-------------------	------------

**212** Kenet Profil  
Clamp Profile



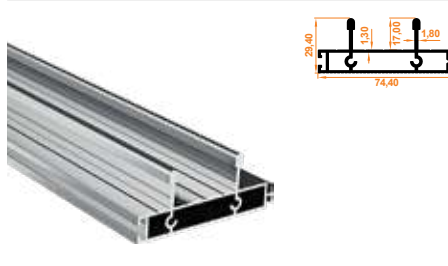
Paket İçi Adet Amount within package	6	Gramajı Weight	0,423 kg/m
---	---	-------------------	------------

**211** Birleştirme Karşılık Profil  
Combination Provisions Profile



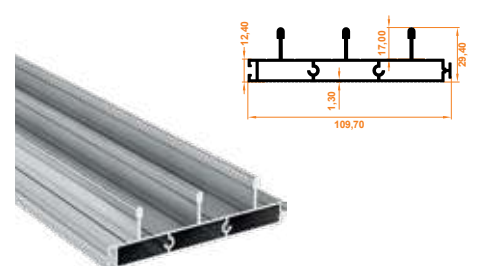
Paket İçi Adet Amount within package	6	Gramajı Weight	0,301 kg/m
---	---	-------------------	------------

**213** İkilî Eşikli Alt Kasa Profil  
Double Threshold Lower Case Profile



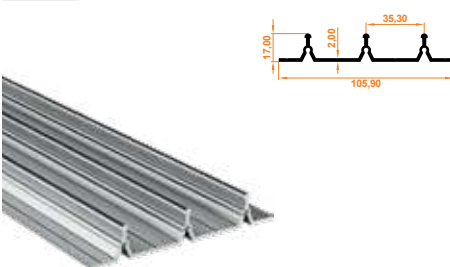
Paket İçi Adet Amount within package	4	Gramajı Weight	0,974 kg/m
---	---	-------------------	------------

**222** Üçlü Eşikli Alt Kasa Profil  
Triple Threshold Lower Case Profile



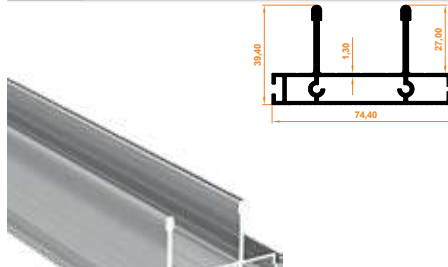
Paket İçi Adet Amount within package	2	Gramajı Weight	1,333 kg/m
---	---	-------------------	------------

**220** Üçlü Eşiksiz Alt Kasa Profil  
Triple Bottom Case Profile without Threshold



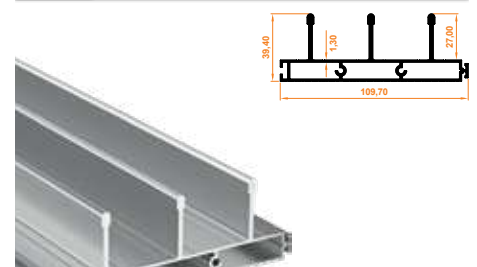
Paket İçi Adet Amount within package	4	Gramajı Weight	0,867 kg/m
---	---	-------------------	------------

**229** İkilî Üst Kasa Profil  
Double Upper Case Profile



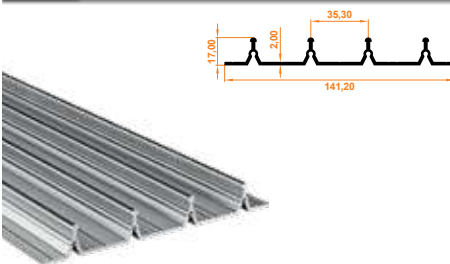
Paket İçi Adet Amount within package	3	Gramajı Weight	1,120 kg/m
---	---	-------------------	------------

**230** İkilî Üçlü Kasa Profil  
Triple Upper Case Profile



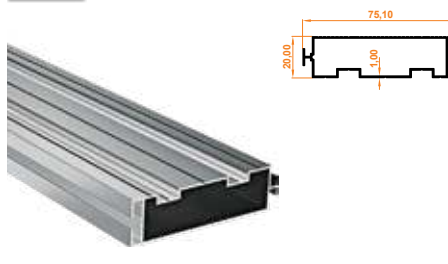
Paket İçi Adet Amount within package	2	Gramajı Weight	1,552 kg/m
---	---	-------------------	------------

**221** Dörtlü Eşiksiz Alt Kasa Profil  
Quadruple Bottom Case Profile without Threshold



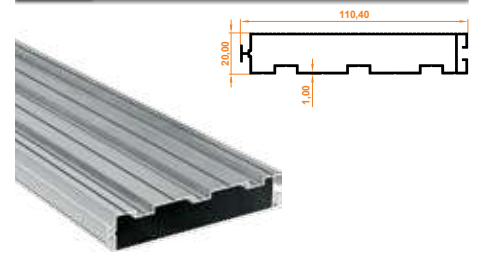
Paket İçi Adet Amount within package	2	Gramajı Weight	1,156 kg/m
---	---	-------------------	------------

**214** İkilî Yan Kasa Profil  
Double Side Case Profile

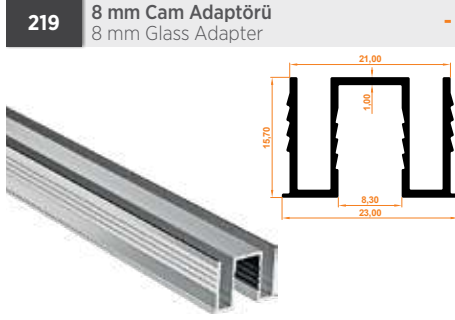


Paket İçi Adet Amount within package	4	Gramajı Weight	0,587 kg/m
---	---	-------------------	------------

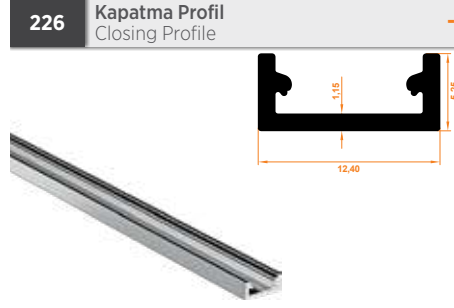
**223** Üçlü Yan Kasa Profil  
Triple Side Case Profile



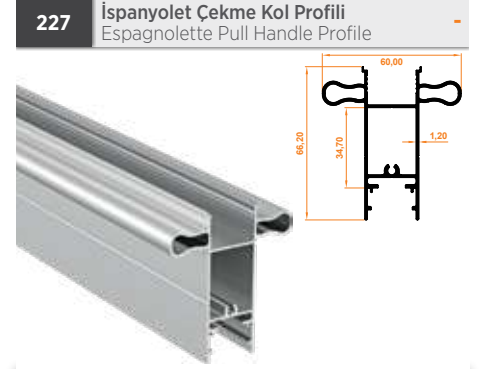
Paket İçi Adet Amount within package	2	Gramajı Weight	0,792 kg/m
---	---	-------------------	------------



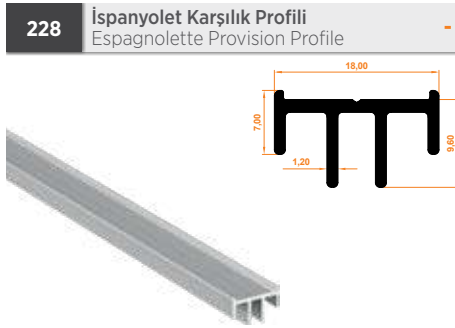
Paket İçi Adet Amount within package	10	Gramajı Weight	0,219 kg/m
---	----	-------------------	------------



Paket İçi Adet Amount within package	10	Gramajı Weight	0,071 kg/m
---	----	-------------------	------------



Paket İçi Adet Amount within package	4	Gramajı Weight	0,957 kg/m
---	---	-------------------	------------



Paket İçi Adet Amount within package	10	Gramajı Weight	0,156 kg/m
---	----	-------------------	------------



## Alüminyum Renk Seçeneği

Aluminum Color Options

**9016**

Beyaz  
White

**E6**

Mat Eloksal  
Matt Anodized

**M0**

Mat Bronz  
Matt Bronze

**P0**

Parlak Bronz  
Gloss Bronze

**8003**

Altın Meşe  
Golden Oak

**8016**

Maun  
Mahogany

**7016**

Antrasit Gri  
Anthracite Gray

**Eloksal Boyalı**

Anodized Painted

**Bronz Boyalı**

Bronze Painted



**PSS 1** Çekme Kol Profil Aksesuarı **Siyah/ Black**  
Sliding Profile Plastic



Paket İçi Adet Amount within package	50	Koli İçi Adet Amount within parcel	200
---	----	---------------------------------------	-----

**PSS 2** Kenet Profil Aksesuarı - Üst **Siyah/ Black**  
Tensile Profile Plastic Top



Paket İçi Adet Amount within package	50	Koli İçi Adet Amount within parcel	200
---	----	---------------------------------------	-----

**PSS 3** Kenet Profil Aksesuarı - Alt **Siyah/ Black**  
Tensile Profile Plastic Bottom



Paket İçi Adet Amount within package	50	Koli İçi Adet Amount within parcel	200
---	----	---------------------------------------	-----

**PSS 4** İspanyollet Çekme Kol Aksesuarı **Siyah/ Black**  
Espagnolette Pull Handle Accessory



Paket İçi Adet Amount within package	50	Koli İçi Adet Amount within parcel	200
---	----	---------------------------------------	-----

**PSS 5** İkili Köşe Takozu **Siyah/ Black**  
Double Corner Wedge



Paket İçi Adet Amount within package	50	Koli İçi Adet Amount within parcel	200
---	----	---------------------------------------	-----

**PSS 6** Üçlü Köşe Takozu **Siyah/ Black**  
Triple Corner Wedge



Paket İçi Adet Amount within package	50	Koli İçi Adet Amount within parcel	200
---	----	---------------------------------------	-----

**PSS 7** Vida Tapası **Siyah/ Black**  
Screw Plug



Paket İçi Adet Amount within package	100	Koli İçi Adet Amount within parcel	2.000
---	-----	---------------------------------------	-------

**PSS 12** Sürme Yalıtım Aksesuarı **Siyah/ Black**  
Sliding Insulation Accessory



Paket İçi Adet Amount within package	1	Koli İçi Adet Amount within parcel	200
---	---	---------------------------------------	-----

**PSS 8** Paslanmaz Lüks Teker **Siyah/ Black**  
Stainless Luxury Wheel



Paket İçi Adet Amount within package	1	Koli İçi Adet Amount within parcel	200
---	---	---------------------------------------	-----

**PSS 9** Havuz Kol (Kilitsiz) **Siyah/ Black**  
Hole Handle (Unlocked)



Paket İçi Adet Amount within package	1	Koli İçi Adet Amount within parcel	1
---	---	---------------------------------------	---

**PSS 10** Klips Kol **Siyah/ Black**  
Clasp Handle



Paket İçi Adet Amount within package	1	Koli İçi Adet Amount within parcel	1
---	---	---------------------------------------	---

**PSS 11** Kale 201 F (Horoz) Kilit **Siyah/ Black**  
Kale 201 F (Pin) Lock



Paket İçi Adet Amount within package	1	Koli İçi Adet Amount within parcel	1
---	---	---------------------------------------	---

# Giyotin Sistem

## Guillotine System

Cam Sistemleri

**Kumandalı Sistem**

İnovatif

Esnek Kullanım

Kolay Temizlik

Glass Systems

**Remote Controlled System**

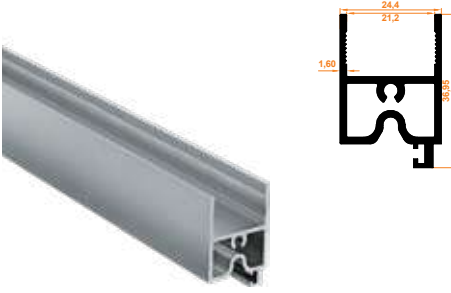
Innovative

Esnek Kullanım

Easy Cleaning



**140** Sabit Panel Açılır Alt Baza Profil  
Fixed Panel Pop-up Base Profile



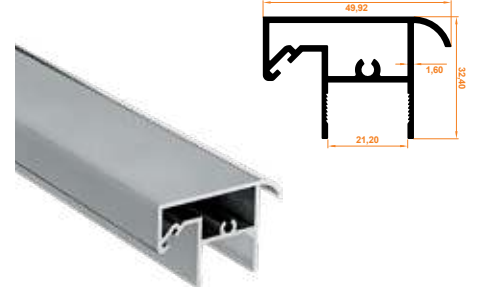
Paket İçi Adet Amount within package	6	Gramajı Weight	0,563 kg/m
---	---	-------------------	------------

**164** Sabit Panel Yan Dikme Profil  
Fixed Panel Side Column Profile



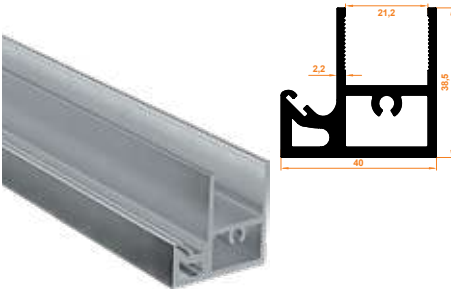
Paket İçi Adet Amount within package	4	Gramajı Weight	0,842 kg/m
---	---	-------------------	------------

**142** Sabit Panel Üst Baza Profil  
Fixed Panel Top Base Profile



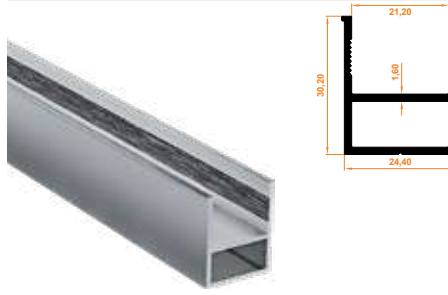
Paket İçi Adet Amount within package	4	Gramajı Weight	0,750 kg/m
---	---	-------------------	------------

**167** Kenet Baza Profil  
Clamp Base Profile



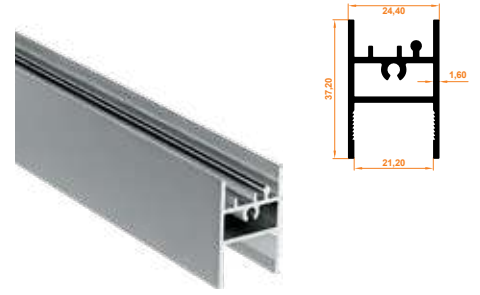
Paket İçi Adet Amount within package	4	Gramajı Weight	1,144 kg/m
---	---	-------------------	------------

**144** Hareketli Panel Yan Dikme Profil  
Movable Panel Side Column Profile



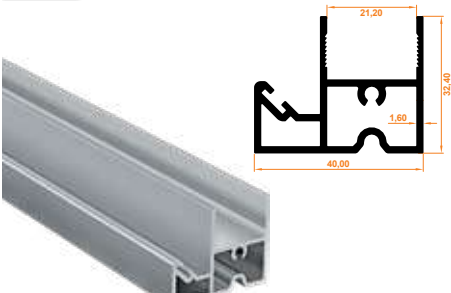
Paket İçi Adet Amount within package	6	Gramajı Weight	0,434 kg/m
---	---	-------------------	------------

**145** Küşte Baza Profil  
Handrail Base Profile



Paket İçi Adet Amount within package	6	Gramajı Weight	0,579 kg/m
---	---	-------------------	------------

**146** Hareketli Panel Açılır Alt Baza Profil  
Movable Panel Pop-up Lower Base Profile



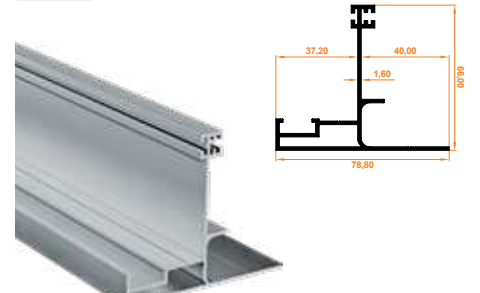
Paket İçi Adet Amount within package	4	Gramajı Weight	0,741 kg/m
---	---	-------------------	------------

**161** Ray Kapatma "T" Profil  
Rail Closure "T" Profile



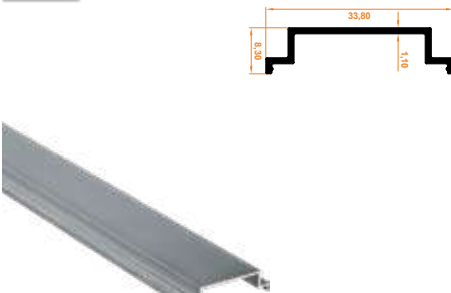
Paket İçi Adet Amount within package	4	Gramajı Weight	0,482 kg/m
---	---	-------------------	------------

**160** Yan Ray "T" Profil  
Side Rail "T" Profile



Paket İçi Adet Amount within package	2	Gramajı Weight	1,057 kg/m
---	---	-------------------	------------

**166** Açılımlı İin Ray Kapatma 'L' Profil  
Rail Closure 'L' Profile for Opening



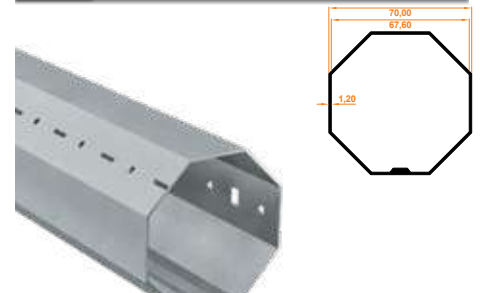
Paket İçi Adet Amount within package	10	Gramajı Weight	0,144 kg/m
---	----	-------------------	------------

**162** Yan Ray "L" Profil  
Side Rail "L" Profile



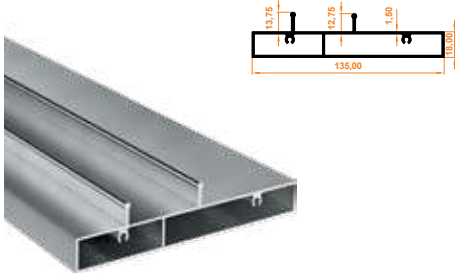
Paket İçi Adet Amount within package	4	Gramajı Weight	0,703 kg/m
---	---	-------------------	------------

**GYT 28** Sac Tambur Borusu  
Sheet Drum Pipe



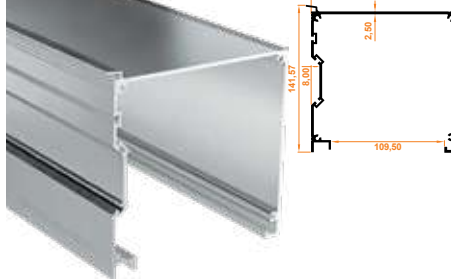
Paket İçi Adet Amount within package	1	Gramajı Weight	7 m
---	---	-------------------	-----

**152** Alt Kasa Profil  
Lower Case Profile



Paket İçi Adet Amount within package	2	Gramajı Weight	1,563 kg/m
---	---	-------------------	------------

**156** Üst Kasa Profil  
Top Case Profile



Paket İçi Adet Amount within package	1	Gramajı Weight	3,449 kg/m
---	---	-------------------	------------

**153** Üst Kasa Kapak Profil  
Top Case Cover Profile



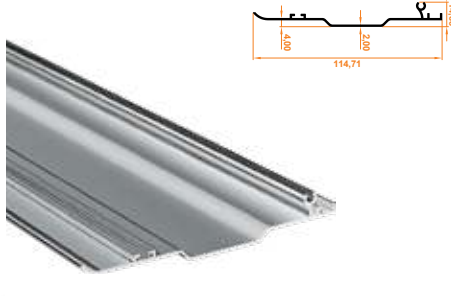
Paket İçi Adet Amount within package	2	Gramajı Weight	0,864 kg/m
---	---	-------------------	------------

**155** Yan Kasa Profil  
Side Case Profile



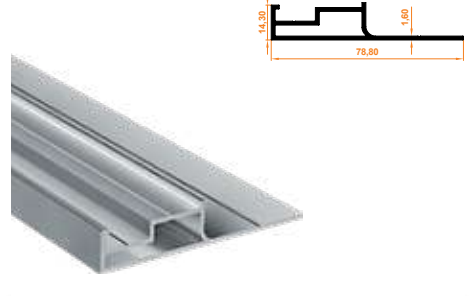
Paket İçi Adet Amount within package	2	Gramajı Weight	1,669 kg/m
---	---	-------------------	------------

**154** Küşte Profil  
Handrail Profile



Paket İçi Adet Amount within package	2	Gramajı Weight	0,759 kg/m
---	---	-------------------	------------

**165** Yan Kasa Kertme Profil  
Side Case Notched Profile



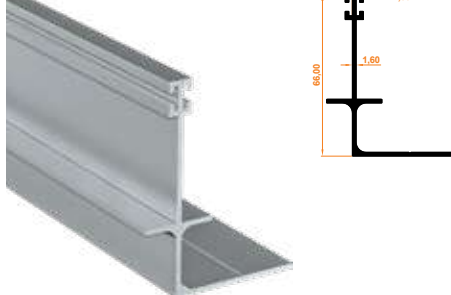
Paket İçi Adet Amount within package	4	Gramajı Weight	0,644 kg/m
---	---	-------------------	------------

**158** Açılımsız Tek Fıtıl Yan Ray L Kasa Profil  
Single Weatherstrips Without Opening Side L Case Profile



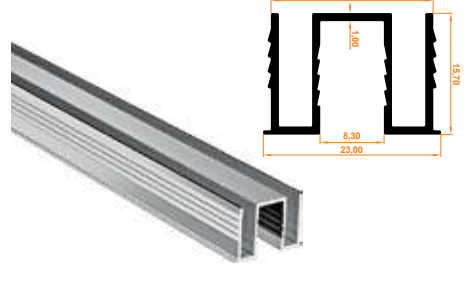
Paket İçi Adet Amount within package	4	Gramajı Weight	0,510 kg/m
---	---	-------------------	------------

**159** Açılımsız Çift Fıtıl Yan Ray L Kasa Profil  
Double Weatherstrips Without Opening Side L Case Profile



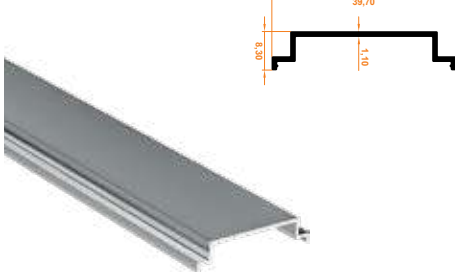
Paket İçi Adet Amount within package	4	Gramajı Weight	0,660 kg/m
---	---	-------------------	------------

**219** 8 mm Cam Adaptörü  
8mm Glass Adapter



Paket İçi Adet Amount within package	10	Gramajı Weight	0,219 kg/m
---	----	-------------------	------------

**149** Açılımsız için Ray Kapatma 'L' Profil  
Rail Closure 'L' Profile for Non-Opening



Paket İçi Adet Amount within package	10	Gramajı Weight	0,162 kg/m
---	----	-------------------	------------

### Alüminyum Renk Seçeneği

Aluminum Color Options

**7016**

Antrasit Gri  
Anthracite Gray

**9005**

Siyah  
Black

**GYT 1** Kūpeste Baza Profil Aksesuarı **Siyah/ Black**  
Handrail Base Profile Accessories



Koli İçi Adet  
Amount within parcel 100

**GYT 2** Sabit Panel Aksesuar - Alt **Siyah/ Black**  
Fixed Panel Accessory - Bottom



Koli İçi Adet  
Amount within parcel 100

**GYT 3A** Kenet Kapak Profil-Sağ/Sol 146 **Siyah/ Black**  
Clamp Profile Plastics-Right/Left 146



Koli İçi Adet  
Amount within parcel 200

**GYT 3B** Kenet Kapak Profil-Sağ/Sol 167 **Siyah/ Black**  
Clamp Profile Plastics-Right/Left 167



Koli İçi Adet  
Amount within parcel 400

**GYT 4** Oluklu Kōşe Takozu **Siyah/ Black**  
Corrugated Corner Wedge



Koli İçi Adet  
Amount within parcel 50

**GYT 5** Kōşe Takozu **Siyah/ Black**  
Corner Wedge



Koli İçi Adet  
Amount within parcel 100

**GYT 6** Ūst Kasa Rulmanlı Kapak **Siyah/ Black**  
Top Case Bearing Cover



Koli İçi Adet  
Amount within parcel 20

**GYT 7** Ūst Kasa Motor Baēlantı Kapak **Siyah/ Black**  
Top Case Engine Connection Cover



Koli İçi Adet  
Amount within parcel 20

**GYT 8** Yan Kasa Kōşe Birleřtirme Takozu **Siyah/ Black**  
Side Case Corner Joint Plastic



Koli İçi Adet  
Amount within parcel 100

**GYT 9** Kūpeste Kapaēı-Saē/Sol **Siyah/ Black**  
Handrail Cover-Right/Left



Koli İçi Adet  
Amount within parcel 200

**GYT 10** Zincir Kapama Aksesuar-Saē/Sol **Siyah/ Black**  
Chain Cover Accessory-Right/Left



Koli İçi Adet  
Amount within parcel 200

**GYT 11** Cift Aēılır Sabit Panel Aks. Ūst-Saē/Sol **Siyah/ Black**  
Double Open Fixed Panel Acc. Top-Right/Left



Koli İçi Adet  
Amount within parcel 200

**GYT 27** Açılımsız Sabit Panel Aksesuar-Alt **Siyah/ Black**  
Fixed Panel Acc. without Opening-Bottom



Koli İçi Adet  
Amount within parcel

100

**GYT 12** Giyotin Makası **-**  
Guillotine Junction



Koli İçi Adet  
Amount within parcel

6 Set/Sets

**GYT 13** Orta Panel Çeliği **Siyah/ Black**  
Center Panel Steel



Koli İçi Adet  
Amount within parcel

40

**GYT 14** Kilit Takımı **Siyah/ Black**  
Lock Set



Koli İçi Adet  
Amount within parcel

100

**GYT 15** Zincir Bağlantı Elemanı **Siyah/ Black**  
Chain Connector



Koli İçi Adet  
Amount within parcel

40

**GYT 16** Tekerli Bağlantı Elemanı **-**  
Wheel Connector



Koli İçi Adet  
Amount within parcel

80

**GYT 17** Panel Hizalama-Sağ/Sol **Siyah/ Black**  
Panel Aligning-Right/Left



Koli İçi Adet  
Amount within parcel

100

**GYT 19** Tambur Bağlantı Elemanı **-**  
Drum Connector



Koli İçi Adet  
Amount within parcel

20

**GYT 20** Zincir Dişli **-**  
Sprocket



Koli İçi Adet  
Amount within parcel

20

**GYT 18** Zincir Yönlendirici **Siyah/ Black**  
Chain Router



Koli İçi Adet  
Amount within parcel

100

**GYT 21** Zincir **-**  
Chain



Koli İçi Adet  
Amount within parcel

1 (5 m)

**GYT 25** Zincir Ağırlık **-**  
Chain Weight



Koli İçi Adet  
Amount within parcel

16

**GYT 26** Sabit Panel Sızdırmazlık Contası **Siyah/ Black**  
Fixed Panel Sealing Gasket



Koli İçi Adet  
Amount within parcel 200 m

**GYT 30** Balon Conta **Siyah/ Black**  
Balloon Gasket



Koli İçi Adet  
Amount within parcel 100 m

**GYT 31** Giyotin Motor (120 Nm) **Somfy**  
Guillotine Engine (120 Nm)

**somfy.**



Koli İçi Adet  
Amount within parcel 1

**KMD 1** Motor Kumandası (tekli) **Somfy**  
Engine Remote Control (mono)

**somfy.**



Koli İçi Adet  
Amount within parcel 1

**KMD 1** Motor Kumandası (çoklu) **Somfy**  
Engine Remote Control (multi)

**somfy.**



Koli İçi Adet  
Amount within parcel 1

**GYT 32** Giyotin Motor (120 Nm) **A-OK**  
Guillotine Engine (120 Nm)

**A-OK®**



Koli İçi Adet  
Amount within parcel 1

**KMD 3** Motor Kumandası (tekli) **A-OK**  
Engine Remote Control (mono)

**A-OK®**



Koli İçi Adet  
Amount within parcel 1

**KMD 4** Motor Kumandası (çoklu) **A-OK**  
Engine Remote Control (multi)

**A-OK®**



Koli İçi Adet  
Amount within parcel 1

## Yeni Tarzınız Giyotin Sistem

Giyotin Cam Balkon Sistemi, modern mimariye uygun, dayanıklı ve estetik bir çözümdür. Üç hareketli cam panel içerir, alt panel sabit kalırken diğer paneller yukarı ve aşağı hareket edebilir. Tüm paneller aşağı indiğinde kolayca temizlenebilirler, iç mekanlara doğal ışık ve ferahlık getirir.

## Your New Style Guillotine System

Guillotin Glass Balcony System is a durable and aesthetic solution designed for modern architecture. It consists of three movable glass panels, with the bottom panel fixed while the others can move up and down. When all panels are lowered, they can be easily cleaned, bringing natural light and freshness into indoor spaces.



# Cam Tavan Sistemleri

## Glass Ceiling Systems

Cam Sistemleri

Kış Bahçesi

Ferah Mimari Yapı  
Modern ve Estetik  
Ek Yaşam Alanı

Glass Systems

Winter Garden

Spacious Architectural Design  
Modern and Aesthetic  
Additional Living Space



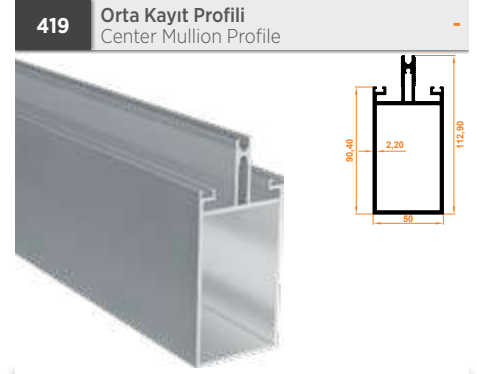




Paket İçi Adet Amount within package	6	Gramajı Weight	0,467 kg/m
---	---	-------------------	------------



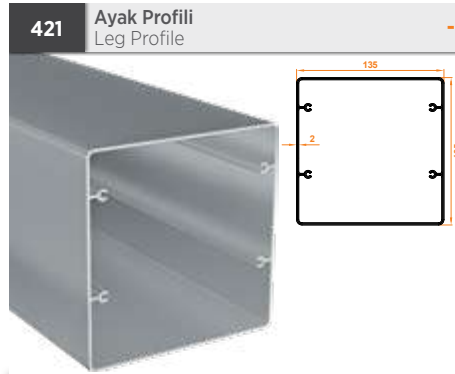
Paket İçi Adet Amount within package	10	Gramajı Weight	0,329 kg/m
---	----	-------------------	------------



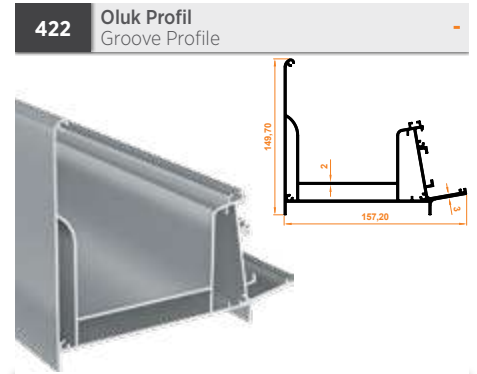
Paket İçi Adet Amount within package	2	Gramajı Weight	2,100 kg/m
---	---	-------------------	------------



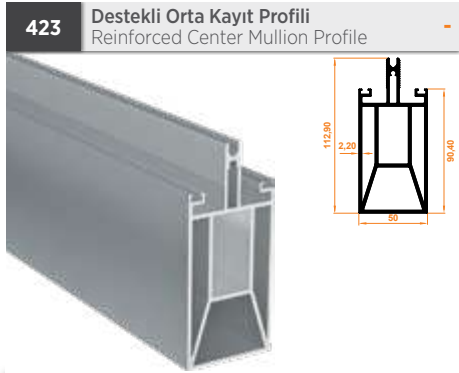
Paket İçi Adet Amount within package	4	Gramajı Weight	0,682 kg/m
---	---	-------------------	------------



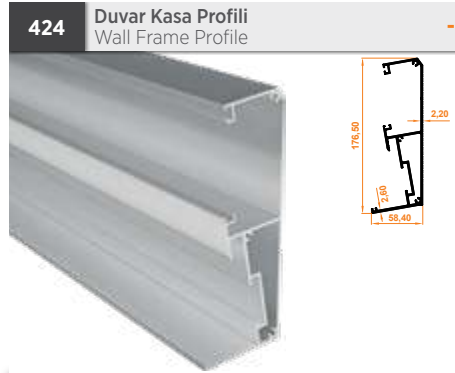
Paket İçi Adet Amount within package	1	Gramajı Weight	3,184 kg/m
---	---	-------------------	------------



Paket İçi Adet Amount within package	1	Gramajı Weight	4,318 kg/m
---	---	-------------------	------------



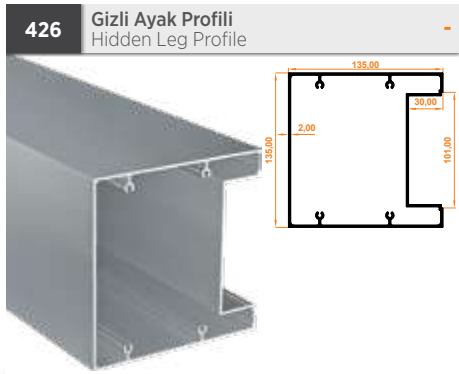
Paket İçi Adet Amount within package	1	Gramajı Weight	3,142 kg/m
---	---	-------------------	------------



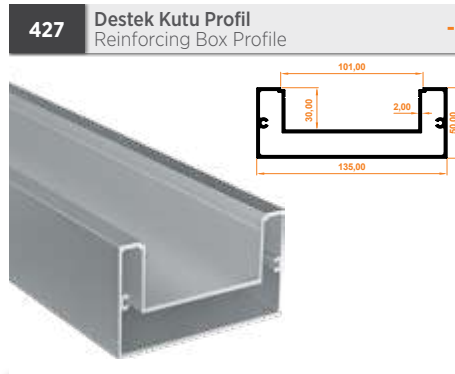
Paket İçi Adet Amount within package	1	Gramajı Weight	2,835 kg/m
---	---	-------------------	------------



Paket İçi Adet Amount within package	4	Gramajı Weight	0,847 kg/m
---	---	-------------------	------------



Paket İçi Adet Amount within package	?	Gramajı Weight	3,610 kg/m
---	---	-------------------	------------



Paket İçi Adet Amount within package	?	Gramajı Weight	1,425 kg/m
---	---	-------------------	------------



Paket İçi Adet Amount within package	?	Gramajı Weight	0,379 kg/m
---	---	-------------------	------------

**CT 01** Orta Kayıt Plastik Kapak **Siyah/ Black**  
Middle Mullion Plastic Cover



Koli İçi Adet  
Amount within parcel

60

**CT 02** Ayak Profili Sabitleme Aksesuarı **Siyah/ Black**  
Leg Profile Fixing Accessory



Koli İçi Adet  
Amount within parcel

20

**CT 03** Metal Oluk Kasa Kapak **Siyah/ Black**  
Metal Gutter Box Cover



Koli İçi Adet  
Amount within parcel

20

**CT 04** Metal Duvar Kasa Kapak **Siyah/ Black**  
Metal Wall Casing Cover



Koli İçi Adet  
Amount within parcel

20

**CT 05** Oluklu Kasa Bağlantı Aksesuarı **Siyah/ Black**  
Corrugated Box Connection Accessory



Koli İçi Adet  
Amount within parcel

100

**CT 06** Duvar Kasa Bağlantı Aksesuarı **Siyah/ Black**  
Wall Casing Connection Accessory



Koli İçi Adet  
Amount within parcel

100

**CT 07** Orta Kayıt Contası **Siyah/ Black**  
Middle Mullion Gasket



Koli İçi Adet  
Amount within parcel

200 mt

**CT 08** Cam Çıta Contası **Siyah/ Black**  
Glass Strip Gasket



Koli İçi Adet  
Amount within parcel

140 mt

**CT 09** Oluk Kasa Yalıtım Yaprak Contası **Siyah/ Black**  
Gutter Box Insulation Leaf Gasket



Koli İçi Adet  
Amount within parcel

85 mt

**CT 10** Duvar Kasa Yalıtım Yaprak Contası **Siyah/ Black**  
Wall Casing Insulation Leaf Gasket



Koli İçi Adet  
Amount within parcel

55 mt

**CT 11** Gizli Ayak Profili Sabitleme Aksesuarı **Siyah/ Black**  
Hidden Leg Profile Fixing Accessory



Koli İçi Adet  
Amount within parcel

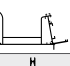
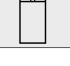
20

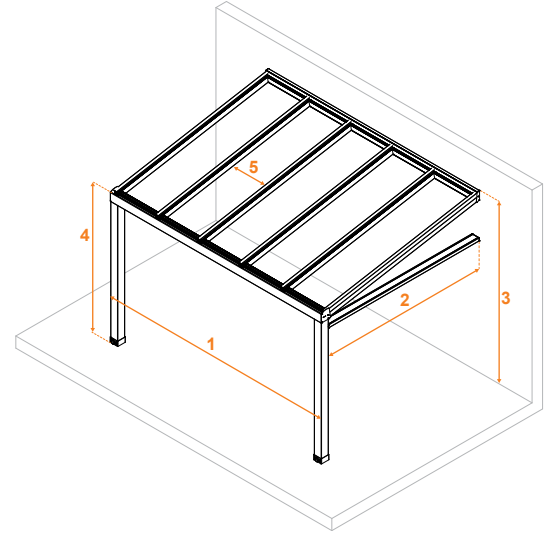
**CT 12** Destek Kutu Sabitleme Aksesuarı **Siyah/ Black**  
Reinforcing Box Fixing Accessory



Koli İçi Adet  
Amount within parcel

40

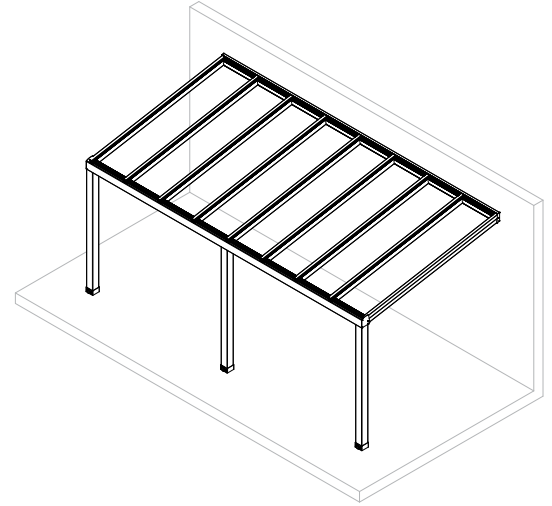
	<b>Teknik Özellikler</b> Technical Specifications	<b>Desteksiz</b> Unreinforced	<b>Destekli</b> Reinforced
	<b>Profil Et Kesit Kalınlığı</b> Profile Wall Thickness	1,2 - 3 mm	
	<b>Ayak Profil Geniřliđi</b> Pole Profile Width	135 mm	
	<b>Oluk Profil Geniřliđi</b> Gutter Profile Width	158 mm	
	<b>Kayıt Profil Geniřliđi</b> Center Mullion Profile Width	50 mm	
<b>1</b>	<b>İki Ayak Arası Maks. Geniřlik</b> Max. Width Between Pole Profiles	4.500 mm	
<b>2</b>	<b>Maks. Derinlik</b> Max. Depth	4.000 mm	4.500 mm
<b>3</b>	<b>Maks. Arka Yükseklik</b> Max. Back Height	3.000 mm	
<b>4</b>	<b>Maks. Ön Yükseklik</b> Max. Front Height	2.500 mm	
<b>5</b>	<b>Maks. Cam Geniřliđi</b> Max. Glazing Width	750 mm	
-	<b>Min. Cam Kalınlığı</b> Min. Glazing Thickness	8 mm	
-	<b>Maks. Cam Kalınlığı</b> Max. Glazing Thickness	20 mm	28 mm



\* 10 derece eğim  
10-degree slope



Sınırsız genişlik \*\*  
Unlimited width



## Dođal Iřık ve Ferahlık

Demarco Alüminyum & Cam Sistemleri olarak tasarladığımız Cam Tavan Sistemleri, meknlara eşsiz bir estetik katmak için özenle geliştirilmiştir. Modern ve şık tasarımıyla göz dolduran bu sistemler, aynı zamanda dođal ışık ve ferahlık sunar. Dayanıklı alüminyum yapısıyla uzun ömürlü kullanım sağlayan ürünlerimiz, her türlü mekana zarif bir dokunuş getirir. Farklı boyut ve özelliklerdeki cam tavanlarımız, meknanızı geniş ve aydınlık bir atmosfere dönüřtürmenin yanı sıra, modern mimarinin gerekliliklerine uygun çözümler sunar. Isı yalıtımı ve ses yalıtımı özelliklerine sahip olan Demarco Cam Tavan Sistemleri, enerji tasarrufu sağlamanın yanı sıra, iç mekan konforunu artırır. Güvenlik standartlarına uygun olarak üretilen sistemlerimiz, kullanıcıların güvenliğini her zaman ön planda tutar. Demarco Cam Tavan Sistemleri, estetik tasarımıyla meknanızı güzelleřtirirken, sağlamlığıyla da güven verir.



## Natural Light and Airiness

Designed by Demarco Aluminum & Glass Systems, our Glass Ceiling Systems are meticulously crafted to add a unique aesthetic to spaces. With a modern and stylish design, these systems not only impress but also provide natural light and a sense of spaciousness. Our products, which offer long-lasting use with their durable aluminum structure, bring an elegant touch to any space. Available in different sizes and specifications, our glass ceilings transform your space into a wide and bright atmosphere while providing solutions that meet the requirements of modern architecture. Demarco Glass Ceiling Systems, which have thermal insulation and sound insulation properties, not only save energy but also increase indoor comfort. Produced in compliance with safety standards, our systems always prioritize user safety. Demarco Glass Ceiling Systems enhance your spaces with their aesthetic design and provide confidence with their durability.



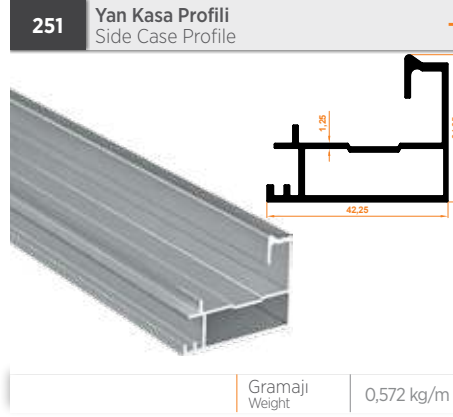
# Dikey Zip Perde

## Vertical Zip Blind

Zip Perde Sistemleri  
Kumandalı Sistem  
Güneş Işığı Kontrolü  
Rüzgar Dayanıklılığı  
Sineklik İşlevi

Zip Blinds Systems  
Remote Controlled System  
Sunlight Control  
Wind Resistance  
Fly Screen Function





**ZP 01** Üst Kasa Kapak - Sağ/Sol **Siyah/ Black**  
Upper Case Cover - Right/Left



**ZP 02** Çelik Pimli Motor Bağlantı Parçası **Gri/ Grey**  
Steel Pinned Motor Connection Part



**ZP 03** Rulmanlı Tambur Bağlantı **Siyah/ Black**  
Bearing Drum Connection



**ZP 04** Motorlu Tambur Bağlantı **Siyah/ Black**  
Motorized Drum Connection



**ZP 05** Rotor Aktarma Parçası **Siyah/ Black**  
Rotor Transmission Part



**ZP 06** Yan Kasa Kapakları - Sağ/Sol **Siyah/ Black**  
Side Case Covers - Right/Left



**ZP 07** Kanat Kapak **Siyah/ Black**  
Wing Cover



**ZP 09** Fermuar Aparatı **Siyah/ Black**  
Zipper Apparatus



**ZP 10** Kanat Contası **Siyah/ Black**  
Wing Seal



**ZP 11** Perde Plastiği **Siyah/ Black**  
Curtain Plastic



**ZP 15** 5x20 Lama Demir **Siyah/ Black**  
5x20 Blade Iron



Gramajı  
Weight 0,800 kg/m

**ZP 14** Motor (20 Nm)  
Engine (20Nm) **Somfy**

**somfy.**



Koli İçi Adet  
Amount within parcel

1

**KMD 1** Kumanda (Tekli)  
Engine Remote Control (Mono) **Somfy**

**somfy.**



Koli İçi Adet  
Amount within parcel

1

**KMD 2** Kumanda (Çoklu)  
Engine Remote Control (Multi) **Somfy**

**somfy.**



Koli İçi Adet  
Amount within parcel

1

**ZP 16** Zip Motor (20 Nm)  
Engine (20 Nm) **A-OK**

**A-OK**



Koli İçi Adet  
Amount within parcel

1

**KMD 3** Kumanda (Tekli)  
Engine Remote Control (Mono) **A-OK**

**A-OK**



Koli İçi Adet  
Amount within parcel

1

**KMD 4** Kumanda (Çoklu)  
Engine Remote Control (Multi) **A-OK**

**A-OK**



Koli İçi Adet  
Amount within parcel

1



### Güneş Işığı Kontrolü:

Zip perdeler, güneş ışığını isteğe bağlı olarak engelleyebilir veya iç mekana geçirilebilir. Bu, iç mekanın aydınlatmasını ve sıcaklığını ayarlamak için kullanışlıdır.

### Sunlight Control:

Zip blinds can either block or allow sunlight to enter the interior as desired, making it convenient for adjusting indoor lighting and temperature.



### Rüzgar Dayanıklılığı:

Bu perdeler, dayanıklı ve rüzgarlı hava koşullarına karşı dirençli olarak tasarlanırlar. Rüzgarla temas ettiğinde dengeli ve sabit kalırlar.

### Wind Resistance:

These blinds are designed to withstand strong and windy weather conditions, remaining stable even when in contact with the wind.



### Sineklik İşlevi:

Zip perdeler, açık havada oturma alanları veya teraslar için idealdir. Aynı zamanda sineklik işlevi görebilir ve böceklerin içeri girmesini engelleyebilir.

### Insect Protection:

Zip blinds are ideal for outdoor seating areas or terraces, as they can also function as insect screens, preventing bugs from entering.



### Uzun Ömür:

Kaliteli malzemelerle yapıldığında, zip perdeler uzun yıllar boyunca dayanıklılık ve performans sunabilirler.

### Longevity:

When made from high-quality materials, zip blinds can offer durability and long-lasting performance.





**demarco**  
Aluminum-Glass Systems

**GELECEĞİ ŞEKİLLENDİREN: PROCESS**  
İNOVASYONUN VE TASARIMIN BULUŞTUĞU DÜNYA

# TASARIM VE İNOVASYONUN BULUŞMA NOKTASI

TASARIM VE İNOVASYONUN SINIRLARINI AŞAN BİR YOLCULUĞA ÇIKIN. PROCESS ALÜMİNYUM & PVC SİSTEMLERİ, ÇÖZÜMLERİN ÖNCÜSÜDÜR; SINIRLARI YENİDEN TANIMLAR VE İLHAM VEREN ÜRÜNLER SUNAR. BİZİMLE, HAYAL GÜCÜNÜN TITIZLIKLE BİR ARAYA GELDİĞİ BU YOLCULUĞA KATILIN VE BİRLİKTE DAHA PARLAK BİR GELECEK OLUŞTURALIM.

**CRAFTING THE FUTURE: PROCESS'S INNOVATIVE WORLD**

# WHERE DESIGN AND INNOVATION CONVERGE

EMBARK ON A JOURNEY THAT TRANSCENDS THE BOUNDARIES OF DESIGN AND INNOVATION. PROCESS ALUMINIUM & PVC SYSTEMS LEADS THE WAY IN SOLUTIONS, REDEFINING LIMITS, AND OFFERING INSPIRATIONAL PRODUCTS. JOIN US ON THIS JOURNEY WHERE IMAGINATION MEETS PRECISION, AND TOGETHER, LET'S BUILD A BRIGHTER FUTURE.





MINİMALİST  
& Cesur

Minimalist  
& Confident

Process Alüminyum Plastik San. Tic. Ltd. Şti.

**MERKEZ**

Aşağıpınarbaşı OSB Mah. 524 Nolu Sk. No: 3/1  
42250, Selçuklu-Konya/TÜRKİYE

**T** : +90 332 248 00 92

**F** : +90 332 248 00 93

**M** : info@process.com.tr

**MARMARA BÖLGE MÜDÜRLÜĞÜ**

Cihangir Mh. Talatpaşa Cad. No:67  
Avcılar/İSTANBUL - TÜRKİYE

**T** : +90 212 407 17 42

**F** : +90 212 407 15 42

**M** : marmara@process.com.tr

|| [www.process.com.tr](http://www.process.com.tr)

|| [www.demarco.com.tr](http://www.demarco.com.tr)

|| [www.processplise.com.tr](http://www.processplise.com.tr)

|| [www.panjurmen.com.tr](http://www.panjurmen.com.tr)

|| [www.prosin.com.tr](http://www.prosin.com.tr)



[www.process.com.tr](http://www.process.com.tr)



grafiken