

Giyotin Sistem

Guillotine System

Cam Sistemleri

Kumandalı Sistem

İnovatif

Esnek Kullanım

Kolay Temizlik

Glass Systems

Remote Controlled System

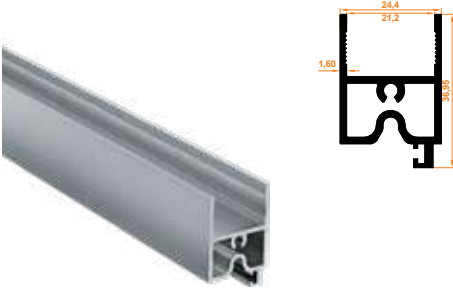
Innovative

Esnek Kullanım

Easy Cleaning



140 Sabit Panel Açılır Alt Baza Profil
Fixed Panel Pop-up Base Profile



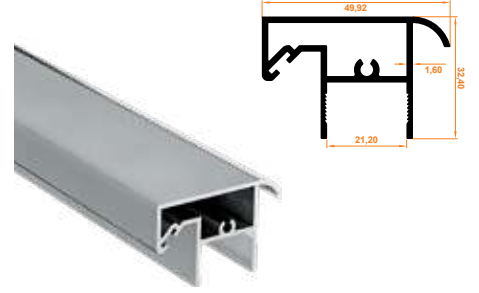
Paket İçi Adet Amount within package	6	Gramajı Weight	0,563 kg/m
---	---	-------------------	------------

164 Sabit Panel Yan Dikme Profil
Fixed Panel Side Column Profile



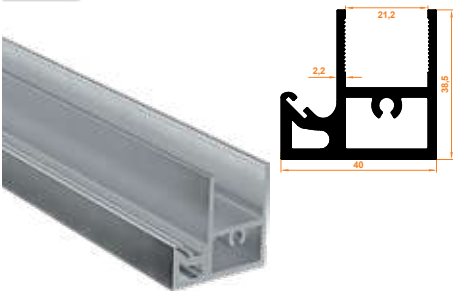
Paket İçi Adet Amount within package	4	Gramajı Weight	0,842 kg/m
---	---	-------------------	------------

142 Sabit Panel Üst Baza Profil
Fixed Panel Top Base Profile



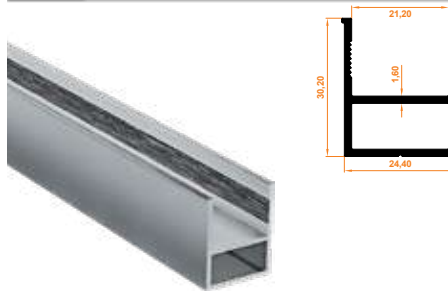
Paket İçi Adet Amount within package	4	Gramajı Weight	0,750 kg/m
---	---	-------------------	------------

167 Kenet Baza Profil
Clamp Base Profile



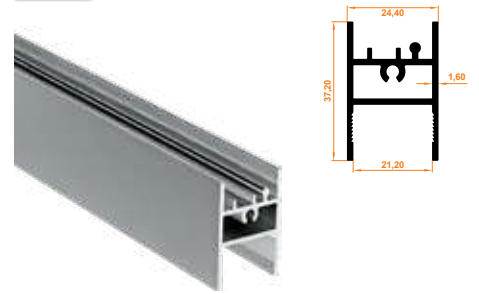
Paket İçi Adet Amount within package	4	Gramajı Weight	1,144 kg/m
---	---	-------------------	------------

144 Hareketli Panel Yan Dikme Profil
Movable Panel Side Column Profile



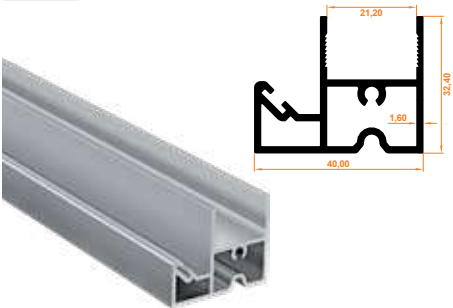
Paket İçi Adet Amount within package	6	Gramajı Weight	0,434 kg/m
---	---	-------------------	------------

145 Küşte Baza Profil
Handrail Base Profile



Paket İçi Adet Amount within package	6	Gramajı Weight	0,579 kg/m
---	---	-------------------	------------

146 Hareketli Panel Açılır Alt Baza Profil
Movable Panel Pop-up Lower Base Profile



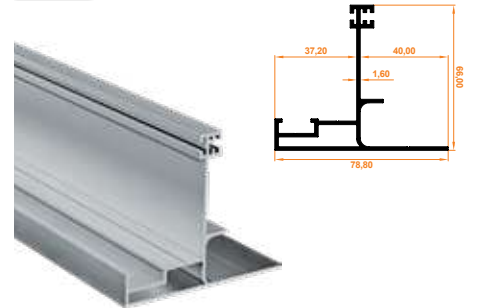
Paket İçi Adet Amount within package	4	Gramajı Weight	0,741 kg/m
---	---	-------------------	------------

161 Ray Kapatma "T" Profil
Rail Closure "T" Profile



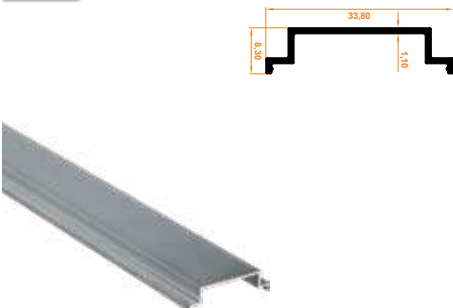
Paket İçi Adet Amount within package	4	Gramajı Weight	0,482 kg/m
---	---	-------------------	------------

160 Yan Ray "T" Profil
Side Rail "T" Profile



Paket İçi Adet Amount within package	2	Gramajı Weight	1,057 kg/m
---	---	-------------------	------------

166 Açılımlı İin Ray Kapatma 'L' Profil
Rail Closure 'L' Profile for Opening



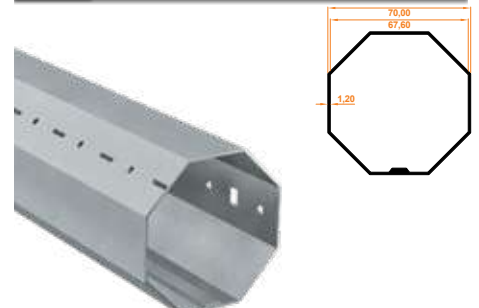
Paket İçi Adet Amount within package	10	Gramajı Weight	0,144 kg/m
---	----	-------------------	------------

162 Yan Ray "L" Profil
Side Rail "L" Profile

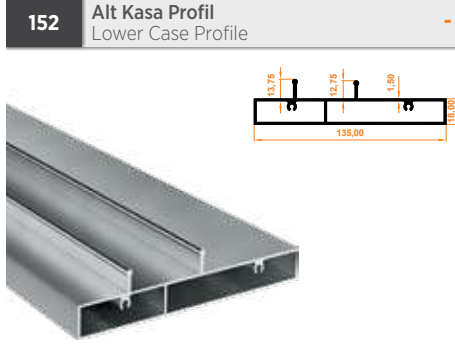


Paket İçi Adet Amount within package	4	Gramajı Weight	0,703 kg/m
---	---	-------------------	------------

GYT 28 Sac Tambur Borusu
Sheet Drum Pipe



Paket İçi Adet Amount within package	1	Gramajı Weight	7 m
---	---	-------------------	-----



Paket İçi Adet Amount within package	2	Gramajı Weight	1,563 kg/m
---	---	-------------------	------------



Paket İçi Adet Amount within package	1	Gramajı Weight	3,449 kg/m
---	---	-------------------	------------



Paket İçi Adet Amount within package	2	Gramajı Weight	0,864 kg/m
---	---	-------------------	------------



Paket İçi Adet Amount within package	2	Gramajı Weight	1,669 kg/m
---	---	-------------------	------------



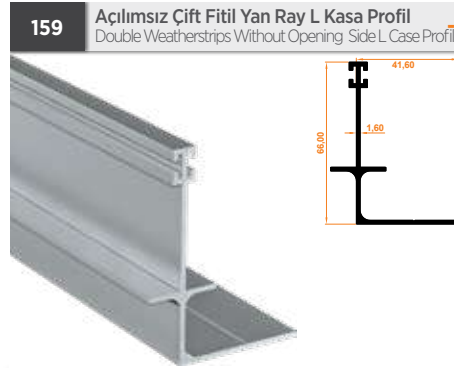
Paket İçi Adet Amount within package	2	Gramajı Weight	0,759 kg/m
---	---	-------------------	------------



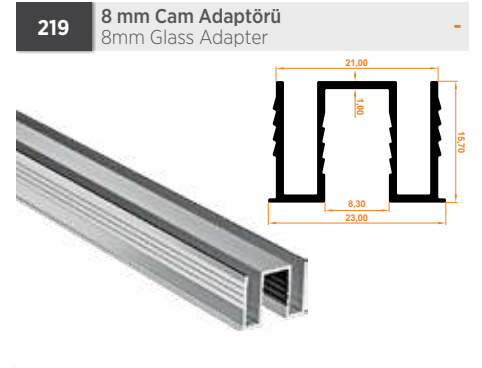
Paket İçi Adet Amount within package	4	Gramajı Weight	0,644 kg/m
---	---	-------------------	------------



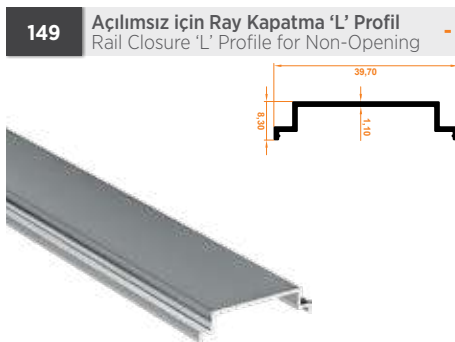
Paket İçi Adet Amount within package	4	Gramajı Weight	0,510 kg/m
---	---	-------------------	------------



Paket İçi Adet Amount within package	4	Gramajı Weight	0,660 kg/m
---	---	-------------------	------------



Paket İçi Adet Amount within package	10	Gramajı Weight	0,219 kg/m
---	----	-------------------	------------



Paket İçi Adet Amount within package	10	Gramajı Weight	0,162 kg/m
---	----	-------------------	------------

Alüminyum Renk Seçeneği

Aluminum Color Options

7016

Antrasit Gri
Anthracite Gray

9005

Siyah
Black

GYT 1 Kūpeste Baza Profil Aksesuarı **Siyah/ Black**
Handrail Base Profile Accessories



Koli İçi Adet
Amount within parcel 100

GYT 2 Sabit Panel Aksesuar - Alt **Siyah/ Black**
Fixed Panel Accessory - Bottom



Koli İçi Adet
Amount within parcel 100

GYT 3A Kenet Kapak Profil-Sağ/Sol 146 **Siyah/ Black**
Clamp Profile Plastics-Right/Left 146



Koli İçi Adet
Amount within parcel 200

GYT 3B Kenet Kapak Profil-Sağ/Sol 167 **Siyah/ Black**
Clamp Profile Plastics-Right/Left 167



Koli İçi Adet
Amount within parcel 400

GYT 4 Oluklu Kōşe Takozu **Siyah/ Black**
Corrugated Corner Wedge



Koli İçi Adet
Amount within parcel 50

GYT 5 Kōşe Takozu **Siyah/ Black**
Corner Wedge



Koli İçi Adet
Amount within parcel 100

GYT 6 Ūst Kasa Rulmanlı Kapak **Siyah/ Black**
Top Case Bearing Cover



Koli İçi Adet
Amount within parcel 20

GYT 7 Ūst Kasa Motor Baēlantı Kapak **Siyah/ Black**
Top Case Engine Connection Cover



Koli İçi Adet
Amount within parcel 20

GYT 8 Yan Kasa Kōşe Birleřtirme Takozu **Siyah/ Black**
Side Case Corner Joint Plastic



Koli İçi Adet
Amount within parcel 100

GYT 9 Kūpeste Kapaēı-Saē/Sol **Siyah/ Black**
Handrail Cover-Right/Left



Koli İçi Adet
Amount within parcel 200

GYT 10 Zincir Kapama Aksesuar-Saē/Sol **Siyah/ Black**
Chain Cover Accessory-Right/Left



Koli İçi Adet
Amount within parcel 200

GYT 11 Cift Aēılır Sabit Panel Aks. Ūst-Saē/Sol **Siyah/ Black**
Double Open Fixed Panel Acc. Top-Right/Left



Koli İçi Adet
Amount within parcel 200

GYT 27 Açılımsız Sabit Panel Aksesuar-Alt **Siyah/ Black**
Fixed Panel Acc. without Opening-Bottom



Koli İçi Adet
Amount within parcel

100

GYT 12 Giyotin Makası
Guillotine Junction



Koli İçi Adet
Amount within parcel

6 Set/Sets

GYT 13 Orta Panel Çeliği **Siyah/ Black**
Center Panel Steel



Koli İçi Adet
Amount within parcel

40

GYT 14 Kilit Takımı **Siyah/ Black**
Lock Set



Koli İçi Adet
Amount within parcel

100

GYT 15 Zincir Bağlantı Elemanı **Siyah/ Black**
Chain Connector



Koli İçi Adet
Amount within parcel

40

GYT 16 Tekerli Bağlantı Elemanı
Wheel Connector



Koli İçi Adet
Amount within parcel

80

GYT 17 Panel Hizalama-Sağ/Sol **Siyah/ Black**
Panel Aligning-Right/Left



Koli İçi Adet
Amount within parcel

100

GYT 19 Tambur Bağlantı Elemanı
Drum Connector



Koli İçi Adet
Amount within parcel

20

GYT 20 Zincir Dişli
Sprocket



Koli İçi Adet
Amount within parcel

20

GYT 18 Zincir Yönlendirici **Siyah/ Black**
Chain Router



Koli İçi Adet
Amount within parcel

100

GYT 21 Zincir
Chain



Koli İçi Adet
Amount within parcel

1 (5 m)

GYT 25 Zincir Ağırlık
Chain Weight



Koli İçi Adet
Amount within parcel

16

GYT 26 Sabit Panel Sızdırmazlık Contası **Siyah/ Black**
Fixed Panel Sealing Gasket



Koli İçi Adet
Amount within parcel 200 m

GYT 30 Balon Conta **Siyah/ Black**
Balloon Gasket



Koli İçi Adet
Amount within parcel 100 m

GYT 31 Giyotin Motor (120 Nm) **Somfy**
Guillotine Engine (120 Nm)

somfy.



Koli İçi Adet
Amount within parcel 1

KMD 1 Motor Kumandası (tekli) **Somfy**
Engine Remote Control (mono)

somfy.



Koli İçi Adet
Amount within parcel 1

KMD 1 Motor Kumandası (çoklu) **Somfy**
Engine Remote Control (multi)

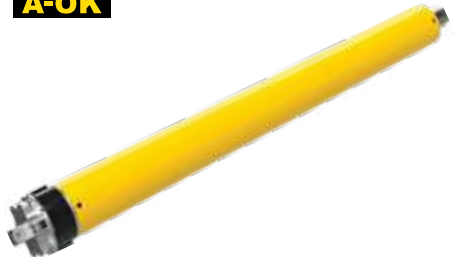
somfy.



Koli İçi Adet
Amount within parcel 1

GYT 32 Giyotin Motor (120 Nm) **A-OK**
Guillotine Engine (120 Nm)

A-OK®



Koli İçi Adet
Amount within parcel 1

KMD 3 Motor Kumandası (tekli) **A-OK**
Engine Remote Control (mono)

A-OK®



Koli İçi Adet
Amount within parcel 1

KMD 4 Motor Kumandası (çoklu) **A-OK**
Engine Remote Control (multi)

A-OK®



Koli İçi Adet
Amount within parcel 1

Yeni Tartzınız Giyotin Sistem

Giyotin Cam Balkon Sistemi, modern mimariye uygun, dayanıklı ve estetik bir çözümdür. Üç hareketli cam panel içerir, alt panel sabit kalırken diğer paneller yukarı ve aşağı hareket edebilir. Tüm paneller aşağı indiğinde kolayca temizlenebilirler, iç mekanlara doğal ışık ve ferahlık getirir.

Your New Style Guillotine System

Guillotin Glass Balcony System is a durable and aesthetic solution designed for modern architecture. It consists of three movable glass panels, with the bottom panel fixed while the others can move up and down. When all panels are lowered, they can be easily cleaned, bringing natural light and freshness into indoor spaces.

